

Product: KLUDI OBJEKTA bayonet single lever sink mixer
DN 15

Ref.: 325780575

Product description

bayonet single lever sink mixer DN 15
single hole mounted
solid lever
ceramic cartridge with hot water safety device
aerator M 24 x 1
flow rate 13,3 l/min at 3 bar
swivelling spout (360°)
for installation below window
remaining height at the base: 25 mm
flexible high pressure supply tubes G 3/8
shank-fixing

Finishes:
05 chrome

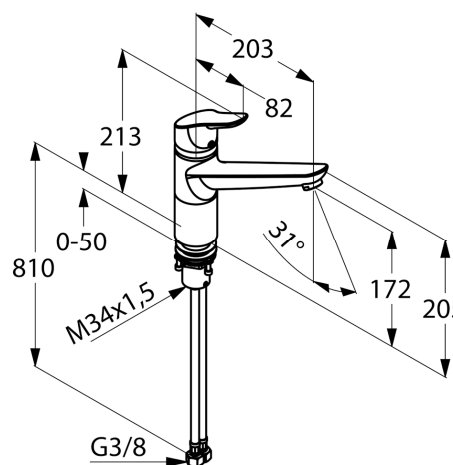
Product picture



Advertisement

bayonet single lever sink mixer, manufacturer KLUDI GmbH & Co. KG
KLUDI OBJEKTA item no. 325780575
type: bayonet single lever sink mixer, DN 15 / PN 10 with swivel spout (360°), chrome plated brass, solid lever chrome plated metal, ceramic cartridge K-35 with hot water safety device, aerator M 24 x 1, flow rate 13,3 l/min at 3 bar, for installation below window, remaining height at the base 25 mm, flexible high pressure supply tubes 3/8 inch with DVGW / W270 approval, shank-fixing
dimensions: height: 213 mm, nozzle height: 172 mm, projection: 203 mm, lever projection: 82 mm

Dimensional drawing



Flow rate diagram

