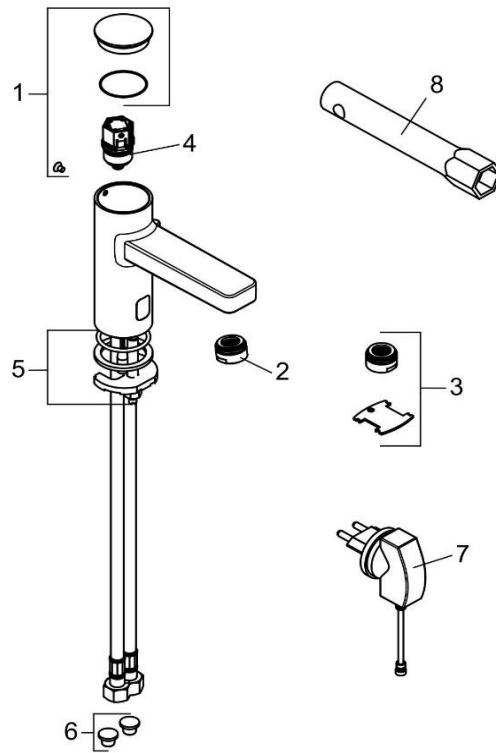


09/2020 ->

| | | | |
|---|-------------|--|--|
| | 3820005 | Elektronische Waschtischarmatur DN 15 | electronic controlled pillar tap DN 15 |
| 1 | 7317705-00 | ABDECKHAUBE | COVER HOOD |
| 2 | 7339005-00 | STRAHLREGLER | AERATOR |
| 3 | 7697105-00 | STRAHLREGLER | AERATOR |
| 4 | 7605300-00 | MAGNETVENTIL | MAGNETIC VALVE |
| 5 | 7459400-00 | BEFESTIGUNGSSATZ | MOUNTING KIT |
| 6 | 7317435-00 | SIEBDICHTUNG | MESH GASKET |
| 7 | 7382400-00 | NETZTEIL | POWER UNIT |
| 8 | 92917600-00 | SECHSKANTSCHLÜSSEL | HEXAGON KEY |
| | | | |
| | | | |
| | | | |
| | | | |
| | | | |
| | | | |
| | | | |
| | | | |
| | | | |
| | | | |
| | | | |
| | | | |
| | | | |
| | | | |
| | | | |
| | | | |
| | | | |
| | | | |



-> 08.2020

| 3820005 | | Elektronische Waschtischarmatur DN 15 | electronic controlled pillar tap DN 15 |
|---------|-------------|--|--|
| 1 | 7317705-00 | ABDECKHAUBE | COVER HOOD |
| 2 | 7339005-00 | STRAHLREGLER | AERATOR |
| 3 | 7697105-00 | STRAHLREGLER | AERATOR |
| 4 | 7605300-00 | MAGNETVENTIL | MAGNETIC VALVE |
| 5 | 7459400-00 | BEFESTIGUNGSSATZ | MOUNTING KIT |
| 6 | 7317435-00 | SIEBDICHTUNG | MESH GASKET |
| 7 | 7606300-00 | NETZTEIL | POWER UNIT |
| 8 | 92917600-00 | SECHSKANTSCHLÜSSEL | HEXAGON KEY |
| | | | |
| | | | |
| | | | |
| | | | |
| | | | |
| | | | |
| | | | |
| | | | |
| | | | |
| | | | |
| | | | |
| | | | |
| | | | |
| | | | |
| | | | |
| | | | |
| | | | |
| | | | |