

## Technische Daten/ Technical Data

### KLUDI BOZZ

concealed single lever bath-and shower mixer  
with security combination according to EN 1717

Ref.:  
386633976

Finishes:  
39 matt black

### Product description

Manufacturer KLUDI GmbH & Co. KG

Typ: KLUDI BOZZ

concealed single lever bath-and shower mixer

Ref.: 386633976

concealed bath-shower mixer

single lever mixer

trim set without pre-installation set

pre installation set KLUDI FLEXX.BOXX Ref.: 88011

trim set with functional unit

wall mounted

PUSH&SWITCH diverter

automatic diverter: shower/bath

solid lever, metal

protected against back flow

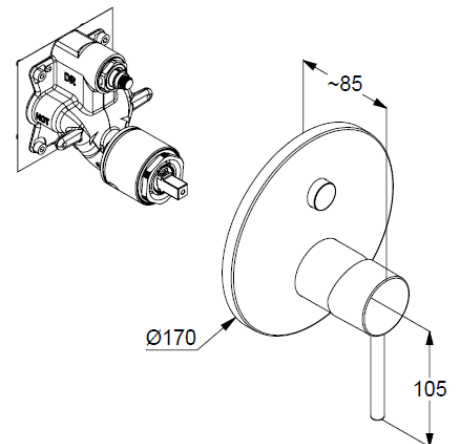
ceramic cartridge with hot water safety device

flow rate at 3 bar 25 l/min.

### Produktabbildung/ Product picture



### Maßzeichnung/ Dimensional drawing



### Durchfluss/ Flow rate

