

**Product:** KLUDI Freshline Dual Shower System KB 3 DN 15

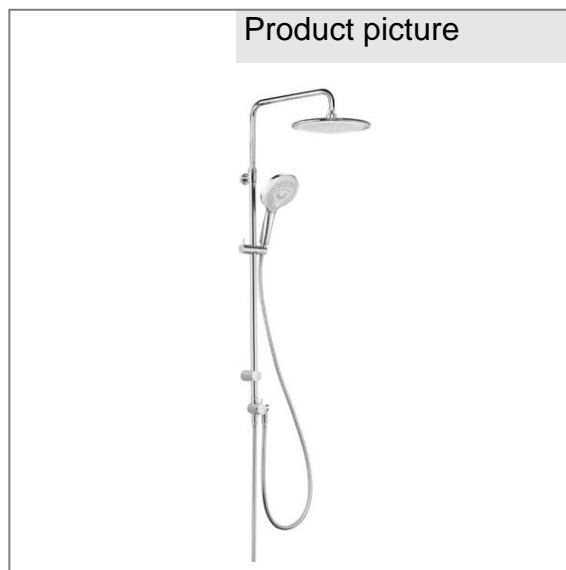
**Ref.:** 6709005-00

**Product description**

Dual Shower System KB 3 DN 15  
 with horizontally and vertically adjustable riser pipe  
 wall fastening  
 two-way ceramic diverter  
 water supply with connecting hose 1/2 x 1/2 inch x 800 mm  
 ridgeless adjustable slider vertically and horizontally adjustable  
 with KLUDI SUPARAFLEX SILVER-shower hose  
 1/2 x 1/2 inch x 1600 mm  
 with KLUDI swivel head shower KB 3  
 with KLUDI Freshline 3 S hand shower, with three spray patterns  
 with fixing kit  
 without shower mixer

Finishes:  
 05 chrome

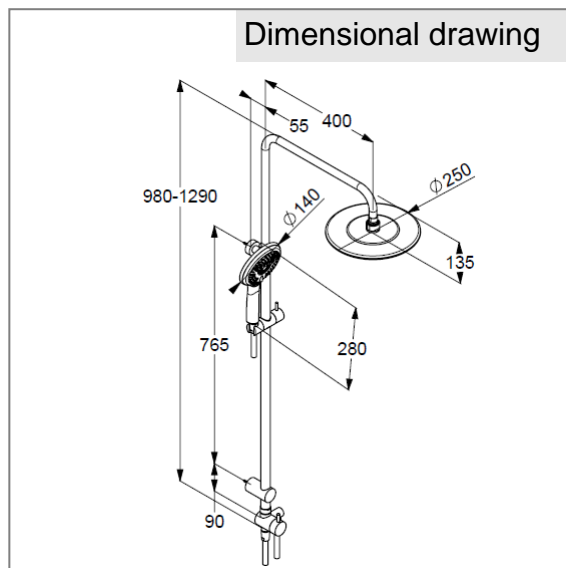
**Product picture**



**Advertisement**

Dual Shower System, manufacturer KLUDI GmbH & Co. KG  
 KLUDI Freshline item no. 6709005-00  
 type: Dual Shower System KB 3, DN 15 / PN 5, chrome plated brass/plastic, with 2 way ceramic diverter cartridge: head shower to hand shower, lever chrome plated metal, flow rate hand shower booster 10 l/min / linear 9 l/min / volume 12 l/min at 3 bar, flow rate head shower 14 l/min at 3 bar, with KLUDI swivel head shower KB 3, with cleaning system, connection 1/2 inch, with KLUDI FRESHLINE 3 S hand shower, chrome plated plastic, with booster / linear / volume spray, with cleaning system, connection 1/2 inch, with KLUDI SUPARAFLEX SILVER shower hose 1/2 x 1/2 inch x 1600 mm, plastic coated with metal effect (silver), outlet to head shower (up) with horizontally and vertically adjustable rigid shower riser, chrome plated, with slider horizontally and vertically adjustable, with flexible connecting hose 1/2 x 1/2 inch x 800 mm, with wall socket, with fixing kit  
 dimensions: height: 980-1290 mm, projection: 400 mm,  
 protection against back flow DIN EN 1717 over shower mixer or wall supply, for continuous line heater, for pressure type water heater

**Dimensional drawing**



**Flow rate diagram**

