

Technische Daten/ Technical Data

KLUDI BALANCE
single lever basin mixer
DN 15

Ref.:
520230575

Finishes:
05 chrome

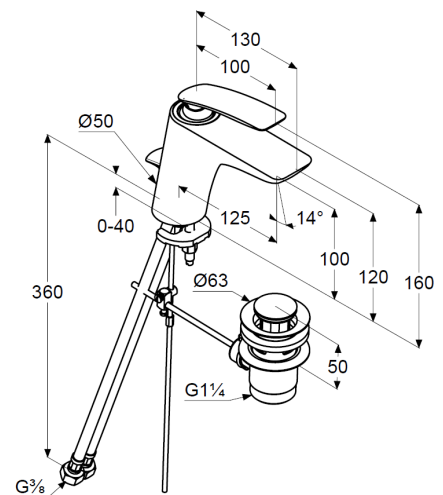
Product description
Manufacturer KLUDI GmbH & Co. KG
Typ: KLUDI BALANCE
single lever basin mixer
Ref.: 520230575

basin mixer
single lever mixer
1-hole mounted
solid lever, metal
aerator, S-Pointer M24 PCA
ceramic cartridge with hot water safety device
flow rate at 3 bar 5 l/min.
flexible hoses G $\frac{3}{8}$ DVGW approved
rapid installation set
pop up waste G1 $\frac{1}{4}$ metal

Produktabbildung/ Product picture



Maßzeichnung/ Dimensional drawing



Durchfluss/ Flow rate

