

## Technische Daten/ Technical Data

KLUDI 1926  
basin mixer  
DN 15

Ref.:  
5101005G5

Finishes:  
05 chrome

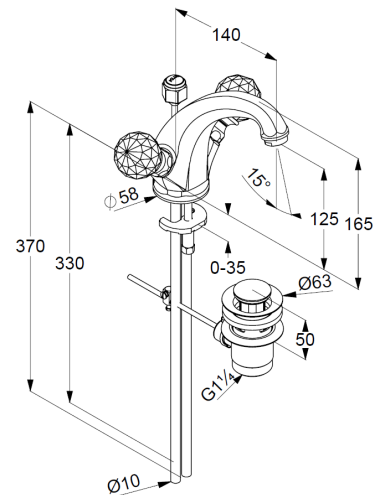
Product description  
Manufacturer KLUDI GmbH & Co. KG  
Typ: KLUDI 1926  
basin mixer  
Ref.: 5101005G5

basin mixer  
2-handle mixer  
1-hole mounted  
crystal handle  
aerator M24 PCA  
ceramic headparts 180°  
copper pipes  $\varnothing$  10mm  
flow rate at 3 bar 5 l/min.  
rapid installation set  
pop up waste G1 $\frac{1}{4}$  metal

### Produktabbildung/ Product picture



### Maßzeichnung/ Dimensional drawing



### Durchfluss/ Flow rate

