

Product: **KLUDI STANDARD basin mixer DN 8**

Ref.: **2106205 ..**

**Product description**

basin mixer DN 8  
 choice of handle  
 handle Terralux metal (08)  
 handle Terralux ABS (15)  
 single hole mounted  
 flow class A  
 aerator M 22 x I  
 swivel spout  
 outlet screw union G 3/4  
 pop up waste 1 1/4 inch  
 copper tubes Ø 10 mm  
 noise group I, P-IX 8570 / IA  
 DIN-DVGW-AT-2177, KIWA

Finishes:  
 05 chrome

**Advertisement**

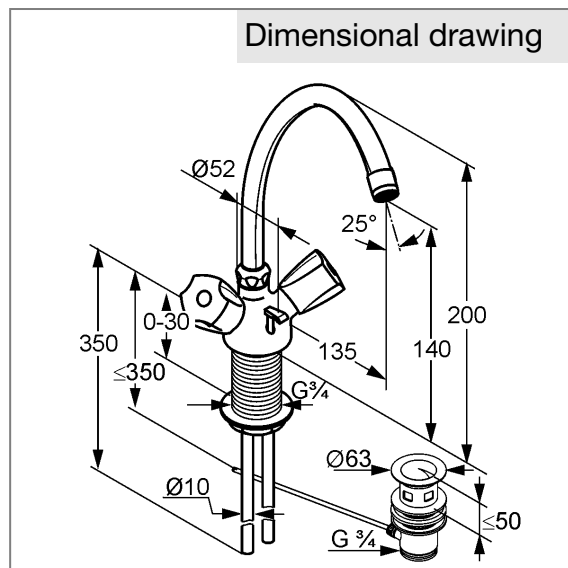
- \* KLUDI GmbH & Co KG KLUDI STANDARD basin mixer item no. 210620508/15
- \*\* classic headparts, DIN EN 200
- \*\*\* chrome plated brass, DIN 50930-6

basin mixer, manufacturer KLUDI GmbH & Co KG KLUDI STANDARD basin mixer item no. 210620508 / 210620515 DN 8, chrome plated brass, type: basin mixer DN 8, swivel spout, nozzle projection 50 mm, aerator M 22 x I, noise level DIN EN 4109 group I, report no. P- IX 8570 / IA, DIN-DVGW-AT-2177, KIWA approval, flow rate A (max. 0,25 l/s), nozzle projection 135 mm, back nut fixing, copper tubes Ø 10 mm length 350 mm, nozzle height 140 mm, classic headparts, handles marked: red / blue, pop up waste 1 1/4 inch, overall length 200 mm, choice of handle: 08 = handle Terralux chrome plated metal, 15 = handle Terralux ABS chrome plated plastic, for pressure type water heater, for continuous line heater, PN 10,

Product picture



Dimensional drawing



Flow rate diagram

