

**Product:** KLUDI MARIS single lever bath- and shower mixer  
DN 15

**Ref.:** 386830581

### Product description

single lever bath and shower mixer DN 15  
solid lever  
wall fastening  
flow class BB  
aerator M 24 x I  
ceramic cartridge with hot water safety device  
automatic diverter: shower to bath tub  
shower outlet G 1/2  
protected against back flow  
S unions  
without shower set  
noise group I  
PA-IX 9780/IBB

Finishes:  
05 chrome

### Advertisement

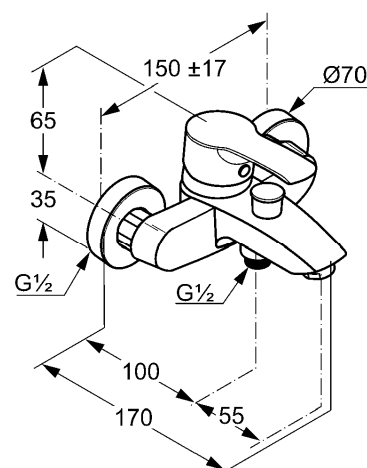
- \* KLUDI GmbH & Co KG KLUDI MARIS single lever bath/shower mixer item no. 386830581
- \*\* ceramic cartridge with hot water safety device Ø 35 mm, DIN-EN 817
- \*\*\* brass, DIN 50930-6

single lever bath/shower mixer, manufacturer KLUDI GmbH & Co KG KLUDI MARIS single lever bath/shower mixer item no. 386830581, DN 15, chrome plated brass, solid lever, ceramic cartridge with hot water safety device Ø 35 mm, noise level DIN EN 4109 group I, report no. PA- IX 9780/IBB, type: single lever bath/shower mixer, with automatic diverter: shower to bath tub, protected against back flow DIN EN 1717, wall fastening, bath tube filler with aerator M 24 x I, flow class B B (max. 0,41 l/s), shower connection 1/2 inch, lever projection 83 mm, nozzle projection 170 mm, S unions 1/2 x 3/4 inch, for pressure type water heater, continuous line heater, PN 10,

### Product picture



### Dimensional drawing



### Flow rate diagram

