

Product: KLUDI E-GO electronic and single-lever controlled sink mixer DN 15

Ref.: 422000575

Product description

electronic and single-lever controlled sink mixer DN 15
 single hole mounted, solid lever
 ceramic cartridge with hot water safety device
 aerator M 21,5 x 1
 adjustable temperature through lever employment
 sensory operation, automatic sensory measuring
 with optional hygienic flushing every 12 or 24 hours
 electronic unit with control device
 electric power supply via 230 V main adapter
 with magnet-cartridge unit
 swivelling spout (360°)
 back flow preventer with dirt-catcher sieve
 rapid installation set, flexible high pressure supply tubes 3/8 inch

Finishes:
 05 chrome

Advertisement

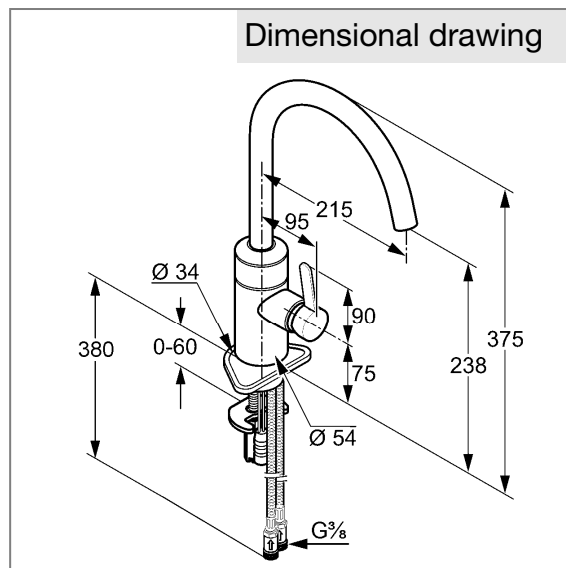
electronic and single-lever controlled sink mixer, manufacturer KLUDI GmbH & Co. KG
 KLUDI E-GO item no. 422000575

type: electronic and single-lever controlled sink mixer, DN 15 / PN 10 with swivel spout (360°), chrome plated brass, as sink mixer with electronic controls or as single-lever mixer, solid lever chrome plated metal, ceramic cartridge with hot water safety device, aerator M 21.5 x 1, actuation lever flow rate 10,5 l/min at 3 bar, electronic activation flow rate approx. 5,0 l/min at 3 bar, powered by a 230 V power supply, control electronics with programming options, activation optoelectronic or via lever, max. warm water intake temperature 65°C (as scald protection), with activatable cleaning mode for maintenance purposes, optional hygienic flushing every 12 or 24 hours, with magnet valve and dirt-catcher sieves as integrated unit within the fitting, with integrated sensor window, automatic valve closed after 90 sec. if optical unit under sensory operation, with backflow preventer on the intakes, flexible high pressure supply tubes 3/8 inch with DVGW / W270 approval, rapid installation set
 dimensions: height: 375 mm, nozzle height: 238 mm, projection: 215 mm
 for pressure type water heaters and for continuous line water heaters
 operation at pressures > 5 bar requires a pressure reducing valve

Product picture



Dimensional drawing



Flow rate diagram

