

Product: KLUDI KOMET multi single lever sink mixer bayonette DN 10

Ref.: 33799 .. 62

Product description

multi single lever sink mixer bayonette DN 10
 open ring lever
 single hole mounted
 flow class A
 aerator M 24 x I
 ceramic cartridge with hot water safety device
 swivelling spout (360°)
 one connection for washing-machine or dishwasher
 for installation below the window
 remaining height at the base: 25 mm
 shank-fixing
 flexible high pressure supply tubes G 3/8
 noise group I

Finishes:
 05 chrome

Advertisement

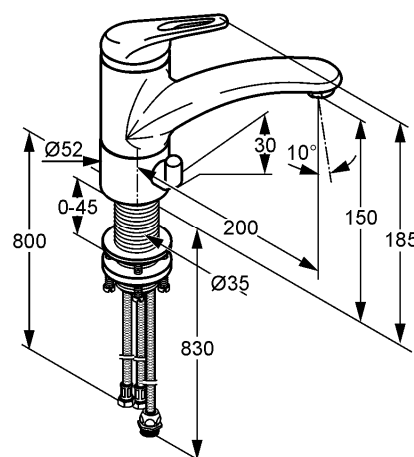
- * KLUDI GmbH & Co KG KLUDI KOMET sink Multi bayonette single lever mixer item no. 33799..62
- ** ceramic cartridge with hot water safety device Ø 35 mm, DIN EN 817
- *** brass, DIN 50930-6

sink multi bayonette single lever mixer, manufacturer KLUDI GmbH & Co KG KLUDI KOMET sink multi bayonette single lever mixer item no. 33799..62, DN 10, finishes: 05 chrome plated brass, type: sink multi bayonette single lever mixer DN 10, swivelling spout, open ring lever, lever projection 85 mm, aerator M 24 x I, noise level DIN 4109 group I, without report no., flow class A (max. 0,25 l/s), nozzle projection 200 mm, back nut fixing, flexible high pressure supply tubes 3/8 inch with metal body with DVGW / KIWA / WRAS / CSTB length 800 mm, nozzle height 150 mm, overall length 185 mm, ceramic cartridge with hot water safety device Ø 35 mm, one connection for washing-machine or dishwasher (flow rate 9,0 l/min at 3 bar), for installation below the window, remaining height at the base: 25 mm, for borehole diameter Ø 35 mm, for pressure type water heater, for continuous line heater, PN 10,

Product picture



Dimensional drawing



Flow rate diagram

