

Product: Kludi E2 single lever bidet mixer DN 10

Ref.: 492160575

Product description

single lever bidet mixer DN 10
 solid lever
 single hole mounted
 flow class Z
 s-pointer aerator M 24 x I
 ceramic cartridge Ø 28 mm
 pop up waste 1 1/4 inch
 flexible high pressure supply tubes G 3/8
 rapid installation set

Finishes:
 05 chrome

Advertisement

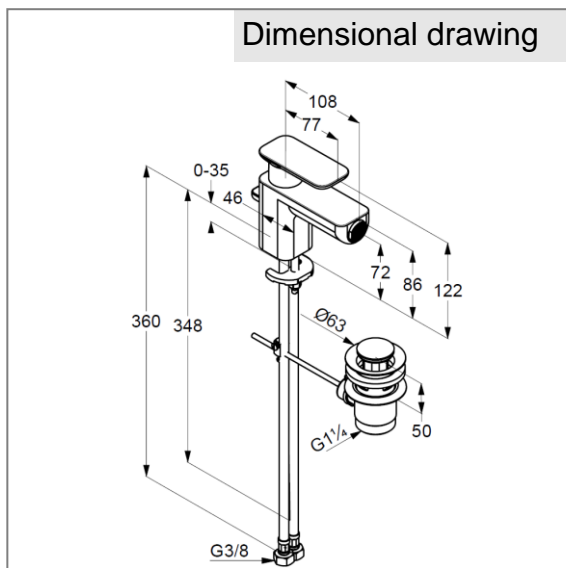
- * Kludi GmbH & Co KG Kludi E2 single lever bidet mixer part no. 492160575
- ** ceramic cartridge 28 mm in diameter, DIN-EN 817
- *** of brass, DIN 50930-6

single-holed faucet, manufacturer type Kludi GmbH & Co KG single lever bidet mixer part no. 492160575, DN 10, of chrome-plated brass, ceramic cartridge 28 mm in diameter, actuating element of chrome-plated metal, design as follows: single lever bidet mixer DN 10, flow class Z (max. 0.15 l/s), with s-pointer aerator M 24 X I Z, flexible connector hoses with union nut G 3/8 with metal sheathing length 360 mm according to W 543/270 with DVGW/KIWA/WRAS approval, with drain set. G 1 1/4 and pull rod, projection 108 mm, drain height 72 / 86, with quick mounting system, with closed actuating element, projection of actuating element 77 mm, total height 122 mm, socket diameter 45 mm, for pressure type water heater, for continuous line heater, PN 10,

Product picture



Dimensional drawing



Flow rate diagram

