

Product: **KLUDI STANDARD sink mixer DN 6**

Ref.: **319200515**

Product description

sink mixer DN 6
 Terralux ABS handles
 single hole mounted
 flow rate 5 l/min
 flow straightener M 22 x l
 swivelling spout (360°)
 outlet screw union G 3/4
 rapid installation set
 copper tubes Ø 8 mm
 for use with displacement heaters
 noise group I
 P-IX 8571/I

Finishes:
 05 chrome

Product picture

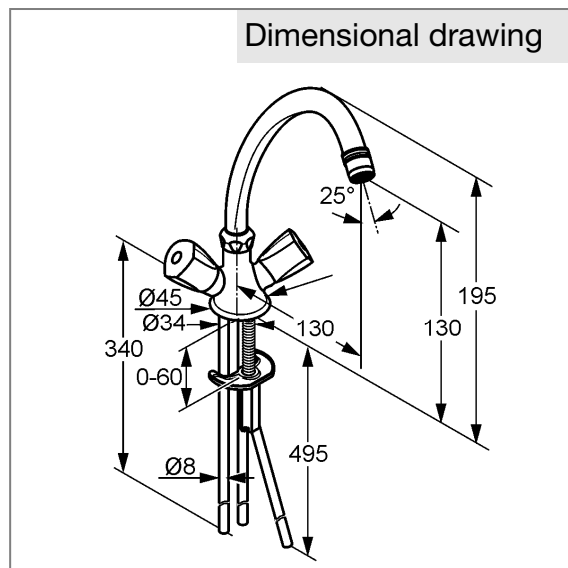


Advertisement

- * KLUDI GmbH & Co KG KLUDI STANDARD sink mixer item no. 319200515
- ** classic headparts, ajar to DIN EN 200
- *** chrome plated brass, DIN 50930-6

sink mixer, manufacturer KLUDI GmbH & Co KG KLUDI STANDARD sink mixer item no. 319200515, DN 6, chrome plated brass, type: sink mixer DN 6, swivel spout, handle projection 50 mm, flow straightener M 22 x l, noise level DIN EN 4109 group I, report no. P- IX 8101 / I, flow rate max. 5 l/min, nozzle projection 130 mm, rapid installation set, copper tubes Ø 8 mm length 340/495 mm, nozzle height 130 mm, classic headparts, outlet screw union G 3/4, handles with marking red/blue, compression joints 3/8 inch, overall length 195 mm, PN 0,

Dimensional drawing



Flow rate diagram

