

Technische Daten/ Technical Data

KLUDI 1926
shower mixer
DN 15

Ref.:
516100520

Finishes:
05 chrome

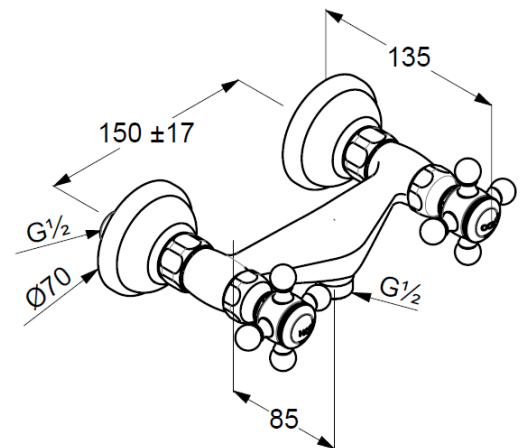
Product description
Manufacturer KLUDI GmbH & Co. KG
Typ: KLUDI 1926
shower mixer
Ref.: 516100520

shower mixer
2-handle mixer
wall mounted
cross handle, metal
protected against back flow
shower outlet G $\frac{1}{2}$
ceramic headparts 180°
flow rate at 3 bar 21 l/min.
S-unions G $\frac{1}{2}$ x G $\frac{3}{4}$

Produktabbildung/ Product picture



Maßzeichnung/ Dimensional drawing



Durchfluss/ Flow rate

