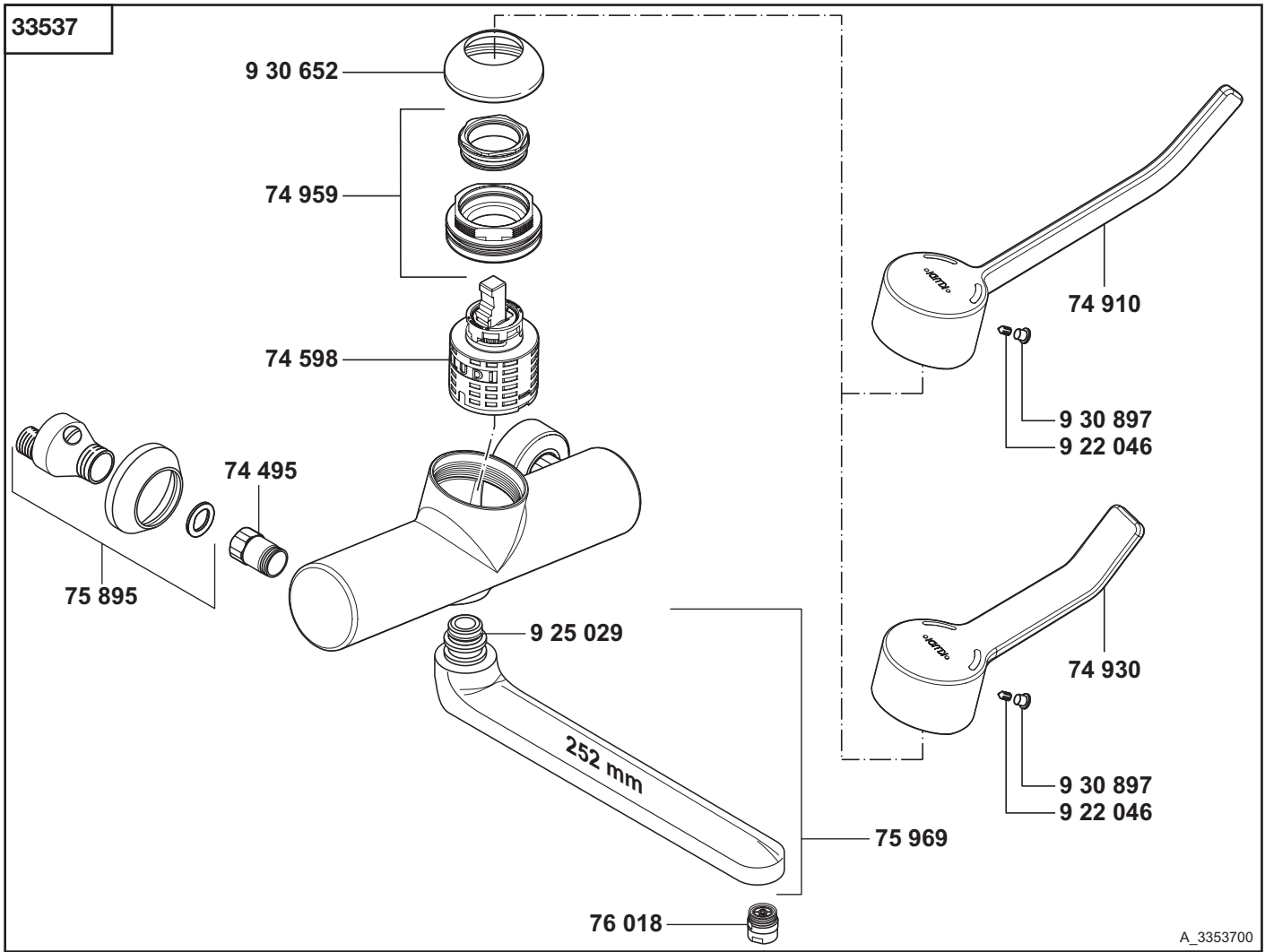


KLUDI PROVITA



33537	Wandarmatur-Einhandmischer DN 15	wall-mounted single lever mixer DN 15	ééngreeps wandmengkraan 1/2"
74 495	Wandarmaturanschluss	wall-fitting connection	wandmengkraan aansluiting
74 598	Steuereinheit K41	cartridge K41	cartouche K41
74 910	Klinik-Hebel, KLUDI PROVITA	HOSPITAL - lever, KLUDI PROVITA	kliniek hendel extra lang, KLUDI PROVITA
74 930	Publik-Hebel, KLUDI PROVITA	PUBLIC - lever, KLUDI PROVITA	kliniek hendel, KLUDI PROVITA
74 959	Spannschraube	screw	spanschroef
75 895	S-Anschluss	S union	S-koppeling
75 969	Gussauslauf	cased spout	gegoten uitloop
76 018	Care-Strahlregler	care flow straightener	Care-mondstuk
922 046	Gewindestift	threading lathe	inbus schroef
925 029	O-Ring	O-ring	o-ring
930 652	Abdeckkappe	cover cap	afdekkap
930 897	Markierungsstopfen	red/blue insert	markeringsstop