

**Product:** KLUDI STANDARD temperature regulating mixer for basin and sink DN 6

**Ref.:** 319190515

**Product description**

temperature regulating mixer for basin and sink DN 6  
 Terralux ABS handles  
 single hole mounted  
 flow rate 5 l/min  
 flow straightener M 22 x 1  
 swivelling spout (360°)  
 outlet screw union G 3/4  
 rapid installation set  
 copper tubes Ø 8 mm  
 for use with displacement heaters  
 noise group I  
 P-IX 8101/I

Finishes:  
 05 chrome

Product picture

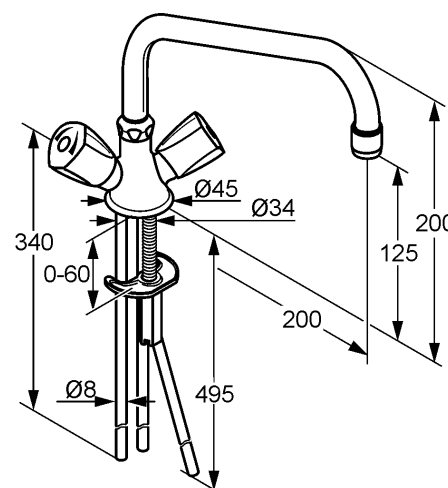


**Advertisement**

- \* KLUDI GmbH & Co KG KLUDI STANDARD temperature regulating mixer item no. 319190515
- \*\* classic headpart, ajar to DIN EN 200
- \*\*\* chrome plated brass, DIN EN 50930-6

temperature regulating mixer for basin or sink, manufacturer KLUDI GmbH & Co KG KLUDI STANDARD temperature regulating mixer item no. 319190515, DN 6, chrome plated brass, type: temperature regulating mixer for basin or sink, swivel spout, handle projection 50 mm, flow straightener M 22 x 1, noise level DIN EN 4109 group I, test report P- IX 8101 / I, flow rate max. 5 l/min, nozzle projection 200 mm, rapid installation set, copper tubes Ø 8 mm length 340/495 mm, nozzle height 125 mm, classic headparts, handle marked red/blue and neutral, compression joints 3/8 inch, overall length 200 mm, for use with displacement heaters, PN 0,

Dimensional drawing



Flow rate diagram

