

Technical Data

KLUDI AMEO

Concealed single lever bath- and shower mixer
with security combination according to EN 1717
PN 10

Article- Nr.:
416630575

Surface:
05 chrome

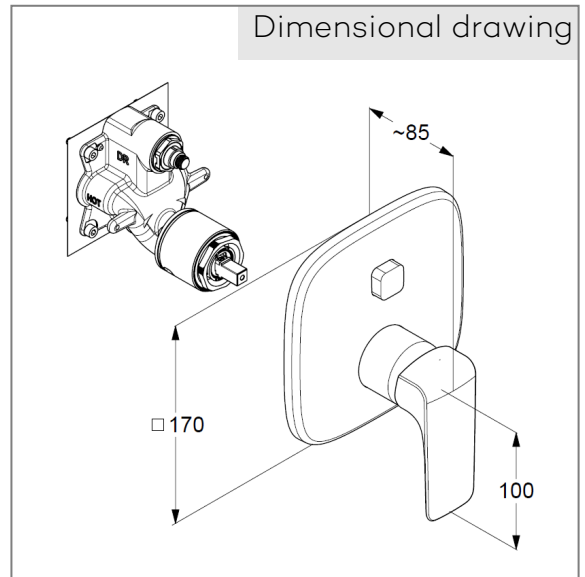
manufacturer KLUDI GmbH & Co. KG
Typ: KLUDI AMEO
Concealed single lever bath- and shower mixer,
PN 10
Art. Nr. 416630575

concealed bath-shower mixer
single lever mixer
trim set without pre-installation set
pre installation set KLUDI FLEXX.BOXX Art. Nr. 88011
trim set with functional unit
wall mounted
PUSH&SWITCH diverter
automatic diverter: shower/ bath
solid lever, metal
protected against back flow
ceramic cartridge with hotwater safety device
flow rate at 3 bar 25 l/ min.

Product Picture



Dimensional drawing



Flow rate diagram

