

Technical Data

KLUDI BALANCE
electronic controlled basin mixer
DN 15

Ref.:
5220005

Finishes:
05 chrome

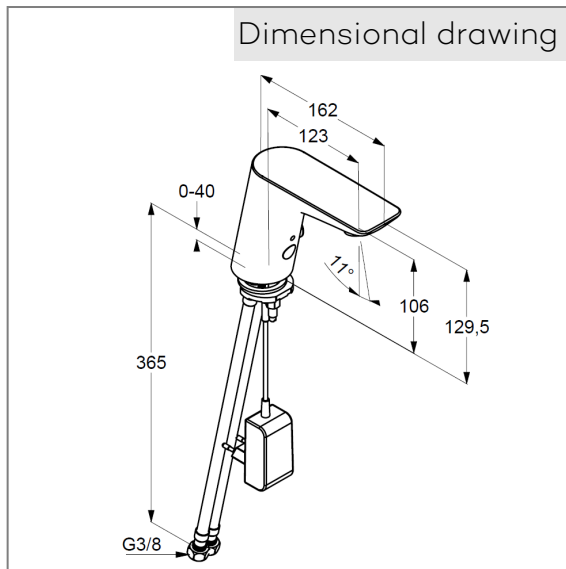
Product description
Manufacturer KLUDI GmbH & Co. KG
Typ: KLUDI BALANCE
Electronic controlled basin mixer DN 15
Ref.: 5220005

basin mixer DN 15
electronic controlled
electric power supply via 230 V main adapter
single hole mounted
mixing shaft with temperature handle
optical object registration
aerator M24
protected against back flow
flow rate at 3 bar = 7,6 l/ min.
flexible hoses G 3/8 DVGW approved
with integrated back flow preventer
rapid installation set
activation optoelectrical
maximum water run- time 2 minutes
safety class IP65

Product picture



Dimensional drawing



Flow rate diagram

