

Product: KLUDI BALANCE single lever basin mixer with raised base for use with counter-top basin DN 15

Ref.: 52298..75

Product description

single lever basin mixer DN 15
with raised base for use with counter-top basin
solid lever
single hole mounted
flow class O (0,11 l/s at 3 bar)
s-pointer Cache jet-spray regulator M 24 x 1
water flow regulator 8.0 l/min
ceramic cartridge with hot water safety device
without pop up waste
rapid installation set
flexible high pressure supply tubes G 3/8 inch
noise group I, P-IX 7502/10
spout height = 272 mm

Finishes:
05 chrome
91 chrome/white

Advertisement

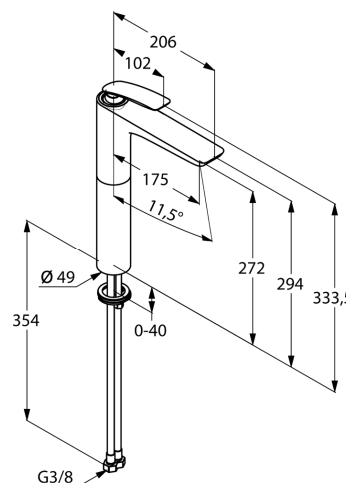
- * KLUDI GmbH & Co KG KLUDI BALANCE single lever basin mixer with raised base for use with counter-top basin item no. 52298..75
- ** ceramic cartridge with hot water safety device Ø 35 mm, DIN EN 817
- *** brass, DIN 50930-6

single lever basin mixer, manufacturer KLUDI GmbH & Co KG KLUDI BALANCE single lever basin mixer with raised base for use with counter-top basin item no. 52298..75, DN 15, finishes 05 = chrome plated / 91 = chrome/white plated brass, ceramic cartridge with hot water safety device Ø 35 mm, solid lever, noise level DIN 4109 group I, report no. P-IX 7502/10, type: single lever basin mixer DN 15 with raised base for use with counter-top basin, flow class O, flow level = 0,11 l/s at 3 bar, s-pointer Cache jet-spray regulator M 24 x 1, flexible high pressure supply tubes 3/8 inch with DVGW/KIWA/WRAS/CSTB approval with metal body length 354 mm, nozzle projection 175 mm, nozzle height 272/294 mm, lever projection 102 mm, rapid installation set, overall length 333,5 mm, for pressure type water heater, continuous line heater (only electronic device), PN 10,

Product picture



Dimensional drawing



Flow rate diagram

