

Product: KLUDI BOZZ wall mounted basin tap with head part control unit DN 15

Ref.: 380170530

Product description

wall mounted basin tap DN 15
 with head part control unit
 wall fastening
 actuation by stick
 special headpart with spindle outlet
 aerator M 21,5 x 1
 flow rate 4,3 l/min at 3 bar
 with sliding cover plate
 connection 1/2 inch
 projection 110 mm

Finishes:
 05 chrome

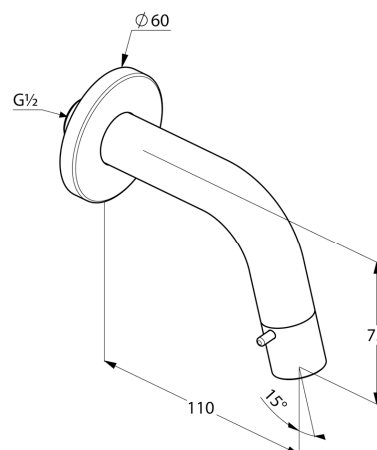
Product picture



Advertisement

wall basin tap, manufacturer KLUDI GmbH & Co. KG
 KLUDI BOZZ item no. 380170530
 type: wall mounted basin tap with head part control unit DN 15 / PN 10, chrome plated brass, actuation by stick, special headpart with spindle outlet, aerator M 21,5 x 1, flow rate 4,3 l/min at 3 bar, with chrome plated sliding cover plate Ø 60 mm, connection 1/2 inch
 dimensions: nozzle projection 110 mm, nozzle height: 75 mm

Dimensional drawing



Flow rate diagram

