

Product: **KLUDI MX single lever bidet mixer DN 10**

Ref.: **332150562**

Product description

single lever bidet mixer DN 10
 open ring lever
 single hole mounted
 flow class Z
 ball-joint-cascade aerator M 24 x I
 ceramic cartridge with hot water safety device
 pop up waste 1 1/4 inch
 rapid installation set
 flexible high pressure supply tubes G 3/8
 noise group I

Finishes:
 05 chrome

Product picture

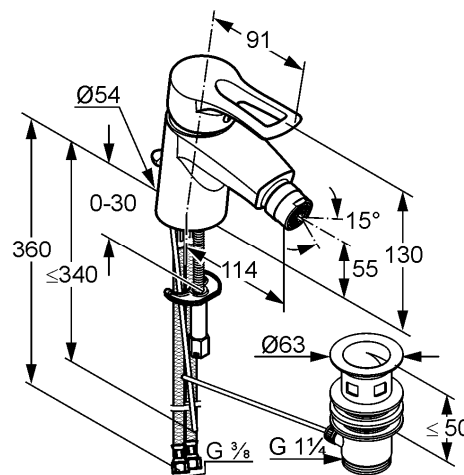


Advertisement

- * KLUDI GmbH & Co. KG KLUDI MX bidet-single lever mixer item no. 332150562
- ** ceramic cartridge with hot water safety device Ø 41 mm, DIN-EN 817
- *** chrome plated brass, DIN 50930-6

bidet-single lever mixer, manufacturer KLUDI GmbH & Co. KG KLUDI MX bidet-single lever mixer item no. 332150562, DN 10, chrome plated brass, ceramic cartridge with hot water safety device Ø 41 mm, open ring lever, noise level DIN EN 4109 group I, without report no., type: bidet-single lever mixer DN 10, flow class Z (max. 0,14 l/s), pop up waste 1 1/4 inch, flexible high pressure supply tubes 3/8 inch with DVGW / KIWA / WRAS / CSTB with metal body length 360 mm, nozzle projection 114 mm, nozzle height 55 mm, lever projection 91 mm, rapid installation set, ball joint cascade aerator M 24 x I, overall length 130 mm, for pressure type water heater, PN 10,

Dimensional drawing



Flow rate diagram

