

Product: **KLUDI OBJEKTA single lever basin mixer DN 15**

Ref.: **321260575**

### Product description

single lever basin mixer DN 15  
 single hole mounted  
 solid lever  
 ceramic cartridge with hot water safety device  
 aerator M 24 x 1  
 flow rate 8,2 l/min at 3 bar  
 flexible high pressure supply tubes G 3/8 inch  
 rapid installation set  
 noise group I, P-IX 28192/IZ

Finishes:  
 05 chrome

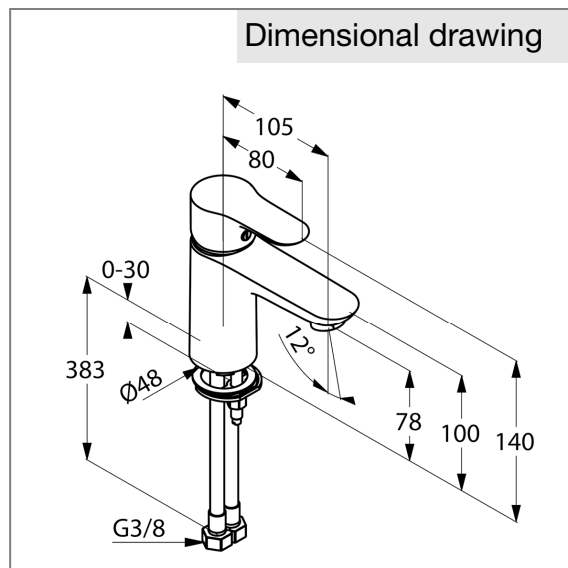
### Product picture



### Advertisement

single lever basin mixer, manufacturer KLUDI GmbH & Co KG  
 KLUDI OBJEKTA item no. 321260575  
 type: single lever basin mixer, DN 15 / PN 10, chrome plated brass, solid lever  
 chrome plated metal, ceramic cartridge K-35 with hot water safety device, aerator  
 M 24 x 1, flow rate 8,2 l/min at 3 bar, flexible high pressure supply tubes 3/8 inch  
 with DVGW / W270 approval, rapid installation set  
 noise level DIN 4109 noise group I, report no. P-IX 28192/IZ  
 dimensions: height: 140 mm, nozzle height: 78 mm, projection: 105 mm, lever pro-  
 jection: 80 mm

### Dimensional drawing



### Flow rate diagram

