

Product: KLUDI ROTEXA 2000 waste and overflow set G 1 1/2

Ref.: 2140805-00

Product description

waste and overflow set G 1 1/2
with siphon trap
incl. Bowden-cable
with flexible overflow pipe
for fitted dimensions up to 450 mm
50 mm water seal height
with waste grate
according to DIN EN 274

Finishes:
05 chrome

Advertisement

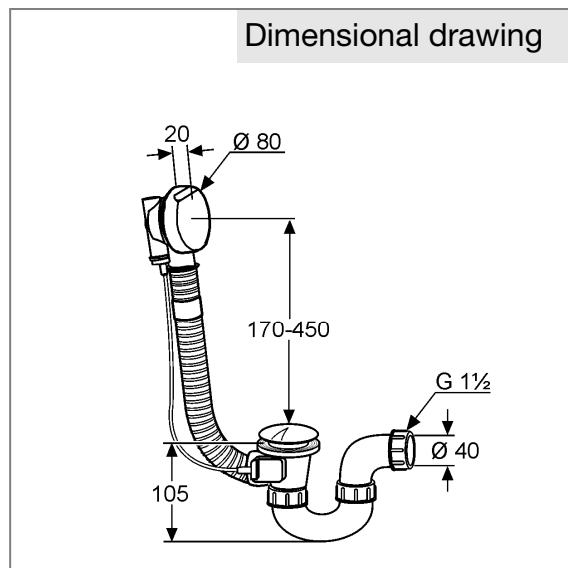
- * KLUDI GmbH & Co KG KLUDI ROTEXA 2000 waste and overflow set item no. 2140805-00
- ** white plastic
- *** DIN EN 274

waste and overflow set KLUDI GmbH & Co KG KLUDI ROTEXA 2000 waste and overflow set item no. 2140805-00, plastic, concealed set 1 1/2 inch, for bathtubs and deep shower tubs, with fixed siphon trap, 50 mm water seal height, with bowden cable, in accordance to DIN EN 274, for overflow connection 170 - 450 mm, overall height siphon 105 mm, without connecting branch DN 40 / 50, with flexible overflow pip, valve sieve stainless steel, for course hole 52 mm, with big valve disc diameter 70 mm, escutcheon plate diameter 80 mm chrome plated plastic, waste flow reg. DIN EN 274/19545 = H1 = 275 mm = 54 L/min,

Product picture



Dimensional drawing



Flow rate diagram

flow rate reg.
DIN EN 274 / 19545
H1 = 275 mm

~ 54,0 l/min