

Product: **KLUDI ZENTA 3 S handshower DN 15**

Ref.: **6080005-00**

Product description

KLUDI ZENTA 3 S handshower DN 15
 flow class B
 with cleaning system
 adjustable to 3 spray patterns
 shower spray
 champagne rain
 pulsating massage jet
 with optional usable 50 % water
 consumption regulation
 connection G 1/2
 noise group I

Finishes:
 05 chrome

Product picture

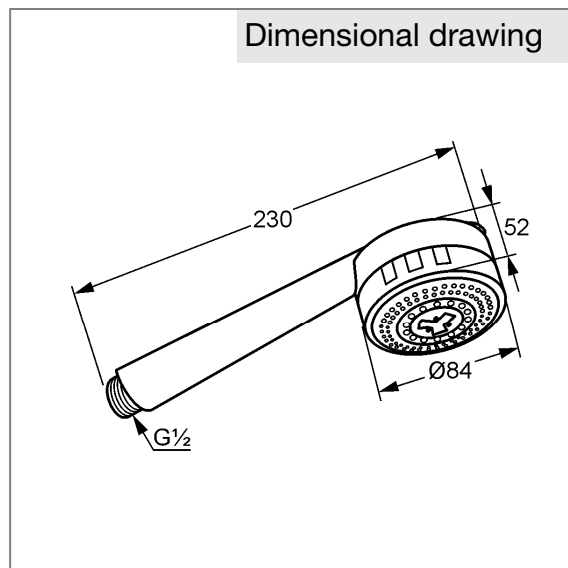


Advertisement

- * KLUDI GmbH & Co KG KLUDI ZENTA 3 S handshower item no. 6080005-00
- ** chrome plated plastic
- *** DIN EN 1112

handshower, manufacturer KLUDI GmbH & Co KG KLUDI ZENTA 3 S handshower item no. 6080005-00, DN 15, chrome plated plastic, noise level DIN EN 4109, group I without report no., flow class B (max. 0,40 l/s), with cleaning system, adjustable to 3 spray patterns: with shower spray / champagne rain / pulsating massage jet, connection 1/2 inch, diameter shower head 84 mm, length 230 mm, for pressure type water heater, for continuous line heater (at 0,15 l/s), with optional usable 50 % water consumption regulation ~ 9,5 l/min at 3 bar running pressure (water consumption regulation not for hydraulic continuous line heater), PN 5,

Dimensional drawing



Flow rate diagram

