

**Product:** KLUDI BALANCE single lever bath- and shower mixer DN 15

**Ref.:** 52447..75

**Product description**

single lever bath- and shower mixer DN 15  
deck mounted  
solid lever

Finishes:  
05 chrome  
91 chrome/white

three hole tiles deck mounted installation  
flow class DB (max 0,42 l/s at 3 bar)  
s-pointer aerator M 24 x 1  
ceramic cartridge with hot water safety device  
automatic diverter: shower to bath tub  
protected against back flow  
retractable handshower  
flexible high pressure supply tube G 1/2 x 1/2 x 600 mm  
projection 220 mm  
noise group I, P-IX 7505/IDB

**Advertisement**

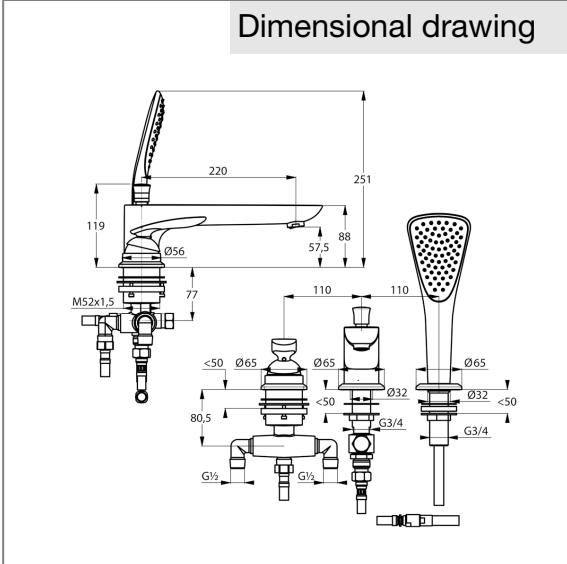
- \* KLUDI GmbH & Co KG KLUDI BALANCE single lever bath- and shower mixer item no. 52447..75
- \*\* brass, DIN 50930-6
- \*\*\* ceramic cartridge with hot water safety device Ø 41 mm, DIN EN 817

deck mounted single lever bath- and shower mixer, manufacturer KLUDI GmbH & Co KG KLUDI BALANCE single lever bath- and shower mixer item no. 52447..75, DN 15, finishes 05 = chrome plated / 91 = chrome/white plated brass, ceramic cartridge with hot water safety device Ø 41 mm, solid lever, noise level DIN 4109 group I, report no. P-IX 7505/IDB, type: three hole tiles deck mounted single lever bath- and shower mixer DN 15, flow class D B max. 0,42 l/s at 3 bar, nozzle projection 220 mm, protected against back flow DIN EN 1717, lever projection 102mm, with (swivelling) s-pointer aerator M 24 x 1, automatic diverter: shower to bath tub, retractable handshower, fixed shuft for shower hose, flexible high pressure supply tube with DVGW / KIWA / WRAS / CSTB 1/2 x 1/2 inch x 600 mm, nozzle height 57,5/88 mm, for hole diameter 110 mm, with plastic KLUDI FIZZ handshower 1 S, with shower spray, with cleaning system, noise level DIN 4109 group I, report no. PA-IX 7506/IS, connection 1/2 inch, length 250 mm, shower hose with metal body with W270/KTW-A 1/2 inch x 15 x 2000 mm, for pressure type water heater, for continuous line heater, PN 10,

**Product picture**



**Dimensional drawing**



**Flow rate diagram**

