

Product: KLUDI STANDARD sink swivelling valve DN 15

Ref.: 3040505 ..

Product description

sink swivelling valve DN 15
 choice of handle
 handle Terralux metal (08)
 handle Terralux ABS (15)
 wall fastening
 flow class A
 aerator M 22 x I
 swivelling spout (360°)
 outlet screw union G 3/4
 handle marking: blue or red
 noise group I, PA- IX 2524/IA
 KIWA

Finishes:
 05 chrome

Product picture

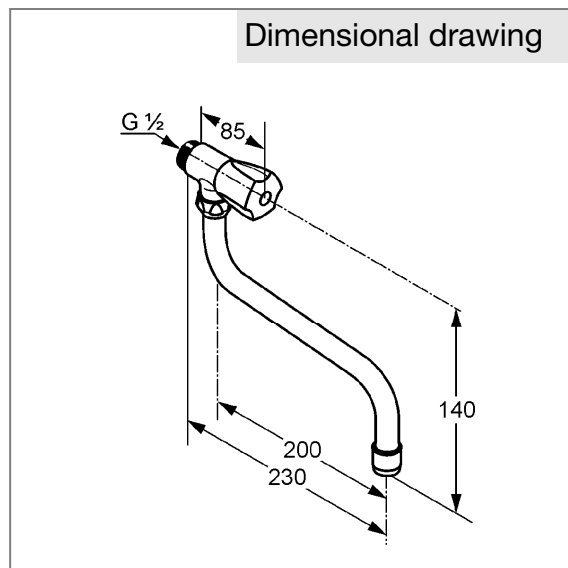


Advertisement

- * KLUDI GmbH & Co KG KLUDI STANDARD sink swivelling valve item no. 304050508/15
- ** classic headparts, DIN EN 200
- *** chrome plated brass, DIN 50930-6

sink swivelling valve, manufacturer KLUDI GmbH & Co KG KLUDI STANDARD sink swivelling valve item no. 304050508 / 304050515, DN 15, chrome plated brass, type: sink swivelling valve DN 15, swivelling spout, handle projection 50 mm, aerator M 22 x I, noise level DIN EN 4109 group I, report no. PA- IX 2524 / IA, KIWA approval, flow class A (max. 0,25 l/s), nozzle projection 230 mm, nozzle height 140 mm, classic headpart, choice of handle- marking: blue or red (handle 08 / 15), thread connection 1/2 inch, outlet screw union 3/4 inch, overall length 140 mm, choice of handle: 08 = handle Terralux chrome plated metal, 15 = handle Terralux ABS chrome plated plastic, for pressure type water heater, for continuous line heater, PN 10

Dimensional drawing



Flow rate diagram

