

**Product:** Kludi Tasso 90 pop up waste

**Ref.:** 21 098 05 - 00

**Product description**

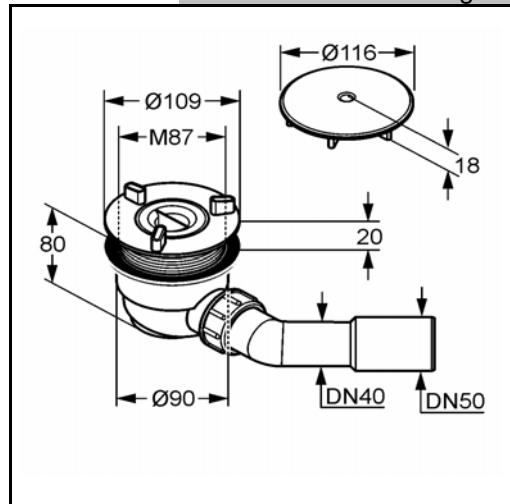
for flat shower tubs  
with 90 mm waste hole  
diameter with removable siphon trap  
cleanable  
with trim set  
approved acc. to DIN EN 274 / DIN 19545

Finishes:  
05 chrome plated

**Product picture**



**Dimensional drawing**



**Flow rate diagram**

**waste flow rate in accord. to  
DIN EN 274  
H 1 = 120 mm  
50,0 l/min**

**Advertisement**

- \* Kludi GmbH & Co KG Kludi Tasso 90  
item no. 21 098 05 - 00
- \*\* chrome plated plastic / white plastic
- \*\*\*\* in acc. to DIN EN 274 / 19545

pop up waste, manufacturer Kludi GmbH & Co KG Kludi Tasso 90, item no. 21 098 05 -00, plastic, pop up waste, 50 mm water seal height, self- cleaning, approved acc. to DIN EN 19 545, qualification approval LGA Bayern, with trim set, bent outlet DN 40 / 50, overall height 80 mm, for flat shower tubs with 90 mm waste hole, with removable siphon trap, waste flow rate H 1 = 120 mm = 50,0 l/min (according to DIN EN 274 / 19 545), cleanable,