

Product: KLUDI MEDI CARE single lever sink mixer DN 8

Ref.: 349080524

Product description

single lever sink mixer DN 8
 arm lever for hospital purpose
 single hole mounted
 flow class Z
 flow rate 8 l/min
 care jet-spray regulator M 24 x I
 safety ceramic cartridges with hot water safety stop
 rapid installation set
 swivel spout
 copper tubes Ø 10 mm
 noise group I
 P-IX 9572/IZ

Finishes:
 05 chrome

Product picture

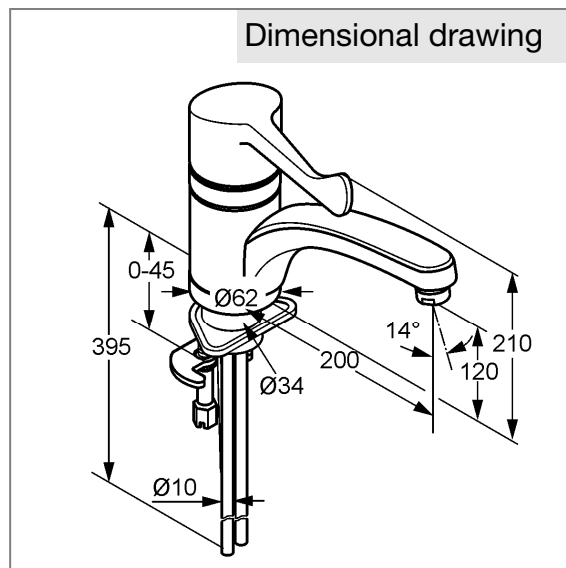


Advertisement

- * KLUDI GmbH & Co. KG KLUDI MEDI-CARE single lever sink mixer item no. 349080524
- ** safety ceramic cartridge with hot water safety stop Ø 35 mm, DIN EN 817
- *** chrome plated brass, DIN 50930-6

single lever sink mixer, manufacturer KLUDI GmbH & Co. KG KLUDI MEDI-CARE single lever sink mixer item no. 349080524, DN 8, chrome plated brass, safety ceramic cartridge with hot water safety stop Ø 35 mm, flow rate 8 l/min, type: single lever sink mixer DN 8, swivel spout, PCA care- non aerated M 24 x I, noise level DIN EN 4109 group I, report no. P- IX 9572 / IZ, nozzle height 120 mm, lever projection 160 mm, copper tubes Ø 10 mm chrome plated length 395 mm, nozzle projection 200 mm, overall length 210 mm, rapid installation set, arm lever for hospital purpose, for borehole diameter Ø 34 mm, for pressure type water heater, for continuous line heater, PN 0,

Dimensional drawing



Flow rate diagram

