

Product: KLUDI ADLON sink mixer DN 6

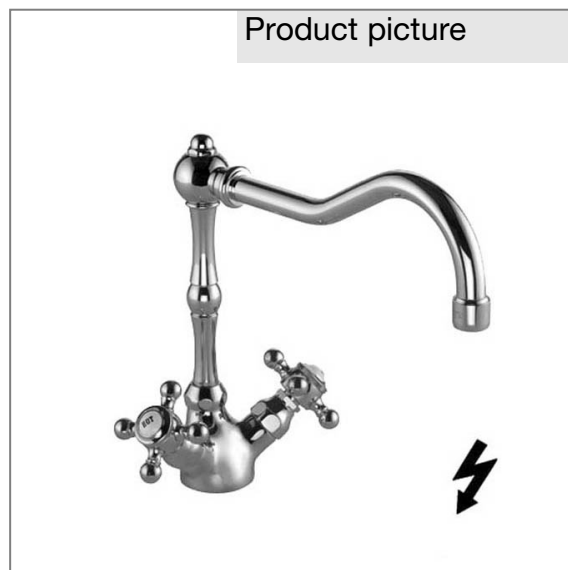
Ref.: 516000520

Product description

sink mixer DN 6
 cross handles
 single hole mounted
 flow rate 5 l/min
 flow straightener M 22 x I
 ceramic headparts 180°
 swivel spout (360°)
 shank-fixing
 copper tubes Ø 8 mm
 for use with displacement heaters
 noise group I

Finishes:
 05 chrome

Product picture

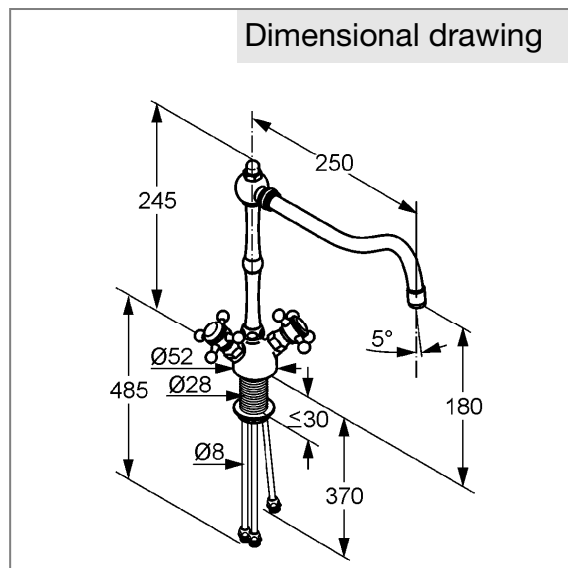


Advertisement

- * KLUDI GmbH & Co KG KLUDI ADLON sink mixer item no. 516000520
- ** chrome plated brass, DIN 50930-6
- *** ceramic headparts 180 °, ajar to DIN EN 200

sink mixer, manufacturer KLUDI GmbH & Co KG KLUDI ADLON sink mixer item no. 516000520, DN 6, finishes: chrome 05 plated brass, type: sink mixer DN 6, swivel spout, cross handles, nozzle projection 250 mm, flow straightener M 22 x I, noise level DIN EN 4109 group I, without report no., flow rate max. 5 l/min, back nut fixing, copper tubes Ø 8mm length 370 / 485 mm chrome plated, nozzle height 180 mm, ceramic headpart 180°, overall length 245 mm, for borehole diameter Ø 28 mm, for use with displacement heaters, PN 0,

Dimensional drawing



Flow rate diagram

