

Product: **KLUDI THM MONO SHOWER SYSTEM DN 15**

Ref.: **6608105-00**

Product description

THM Mono Shower System DN 15
 wall fastening
 flow class B
 temperature control handle with
 hot water safety device 38°C
 ceramic headpart 180°
 50 % water consumption regulation
 dirt-catcher sieve
 with KLUDI A-QA headshower 1/2
 Ø 200 mm with ball joint
 standshower incl. tube fixation
 with screws and dowels
 noise level I

Finishes:
 chrome

Advertisement

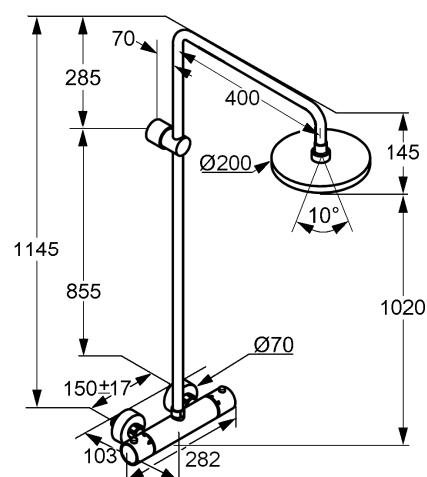
- * KLUDI GmbH & Co KG KLUDI THM MONO SHOWER SYSTEM DN 15
 item no. 6608105-00
- ** temperature control handle with hot water safety device 38°C, DIN EN 1111
- *** ceramic headpart 180°, DIN EN 200
- **** chrome plated brass, DIN EN 50930-6

thermostat shower mixer, manufacturer KLUDI GmbH & Co KG KLUDI MONO SHOWER SYSTEM item no. 6608105-00, DN 15, chrome plated brass, ceramic headpart 180°, solid handle, noise level DIN EN 4109 group I, report no. P- IX, temperature control handle with hot water safety device 38 °C, type: thermostat shower mixer DN 15, flow class B (max. 0,42 l/s), S unions 1/2 x 3/4 inch, dirt-catcher sieve, 50% water consumption regulation, projection thermostat mixer 103 mm, projection headshower 400 mm, with headshower Ø 200 mm with ball joint, standshower incl. tube fixation with screws and dowels, for pressure type water heater, for continuous line heater, PN 10,

Product picture



Dimensional drawing



Flow rate diagram

