

**Product:** KLUDI A-QA Dual Shower System DN 15

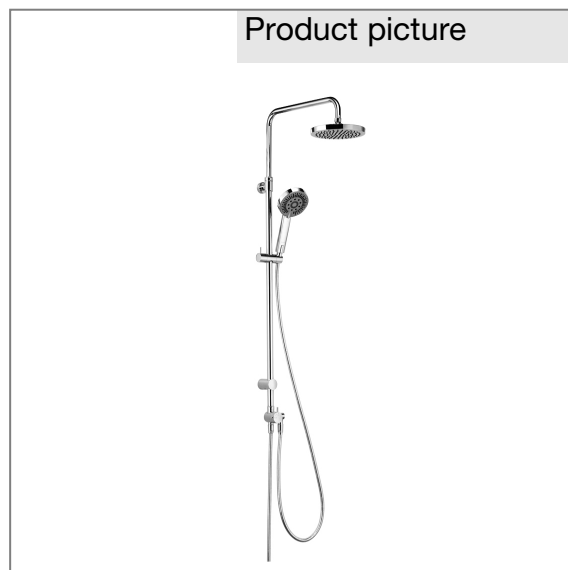
**Ref.:** 6609105-00

**Product description**

Dual Shower System DN 15  
 with horizontally and vertically adjustable riser pipe  
 wall fastening  
 two-way ceramic diverter  
 water supply with connecting hose 1/2 x 1/2 inch x 800 mm  
 ridgeless adjustable slider vertically and horizontally adjustable  
 with KLUDI SUPARAFLEX shower hose 1/2 x 1/2 inch x 1600 mm  
 with KLUDI A-QA swivel head shower Ø 200 mm  
 with KLUDI A-QA s 3 S hand shower, with three spray patterns  
 with fixing kit  
 without shower mixer

Finishes:  
 05 chrome

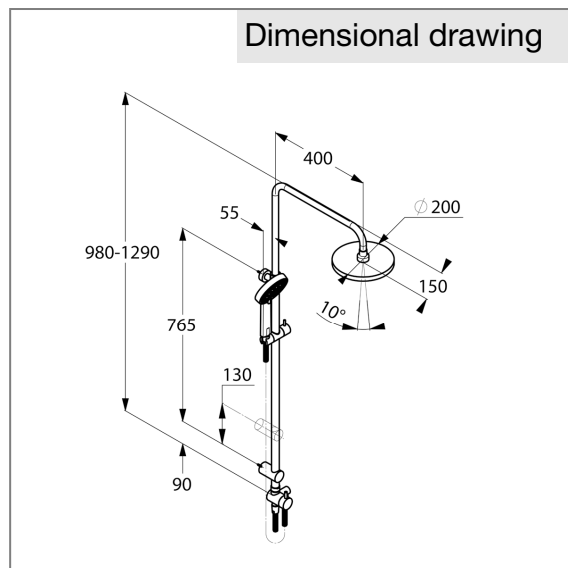
**Product picture**



**Advertisement**

Dual Shower System, manufacturer KLUDI GmbH & Co. KG  
 KLUDI A-QA item no. 6609105-00  
 type: Dual Shower System, DN 15 / PN 5, chrome plated brass / plastic, with 2 way ceramic diverter cartridge: head shower to hand shower, lever chrome plated metal, flow rate hand shower booster: 10,5 l/min / volume: 12,9 l/min / smooth: 10,7 l/min at 3 bar, flow rate head shower 14,8 l/min at 3 bar, with KLUDI A-QA swivel head shower, chrome plated, with cleaning system, connection 1/2 inch, with KLUDI A-QA s hand shower 3 S with three spray patterns, chrome plated plastic, with cleaning system, connection 1/2 inch, with KLUDI SUPARAFLEX shower hose 1/2 x 1/2 inch x 1600 mm plastic coated with metal effect, outlet to head shower (up) with horizontally and vertically adjustable rigid shower riser, chrome plated, with slider horizontally and vertically adjustable, with flexible connecting hose 1/2 x 1/2 inch x 800 mm, with wall socket, with fixing kit  
 dimensions: height: 980-1290 mm, projection: 400 mm, head shower: Ø 200 mm, hand shower: Ø 120/250 mm  
 protection against back flow DIN EN 1717 over shower mixer or wall supply, for continuous line heater, for pressure type water heater

**Dimensional drawing**



**Flow rate diagram**

