

**Product:** KLUDI O-CEAN single lever bath- and shower mixer DN 15

**Ref.:** 387700575

**Product description**

single lever bath- and shower mixer DN 15  
 solid lever  
 wall fastening  
 flow class CB  
 s-pointer aerator M 24 x IC  
 ceramic cartridge with hot water safety device  
 automatic diverter: shower to bath tub  
 shower outlet G 1/2  
 protected against back flow  
 S-unions  
 with cover plate  
 without shower set  
 noise group I, PA- IX 18977/ICB

Finishes:  
 05 chrome

**Advertisement**

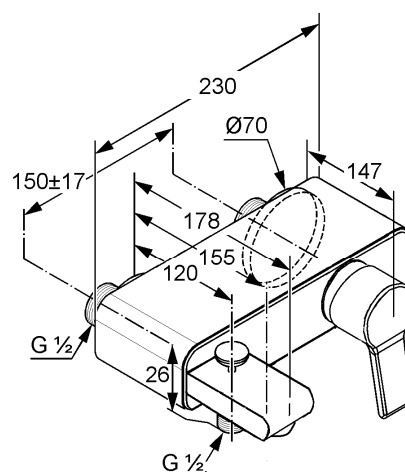
- \* KLUDI GmbH & Co. KG KLUDI O-CEAN single lever bath- and shower mixer DN 15 part no. 387700575
- \*\* ceramic cartridge with hot water safety device Ø 41 mm, DIN EN 817
- \*\*\* of chrome plated brass, DIN 50930-6

wall mounted, manufacturer type KLUDI GmbH & Co KG KLUDI O-CEAN single lever bath- and shower mixer part no. 387700575, DN 15, of chrome plated brass, shelf: 05 = chrome, ceramic cartridge with hot water safety device Ø 41mm, actuating element of chrome-plated metal, noise characteristics DIN 4109 Group I, approval no. PA- IX 18977/ICB, design as follows: single lever bath- and shower mixer DN 15, flow class CB (max. 0.42 l/s), with s-unions G 1/2" x G 3/4" with mufflers, shower outlet G 1/2", protected against back flow reg. DIN EN 1717, projection 147 mm, with closed actuating element, projection of actuating element 78 mm, cover rosette Ø 70 mm, with masked assembly technique by means of cover plate, width 230 mm, projection hand shower connection 120 mm, with s-pointer aerator M 24 x I C, aerator projection 155 mm, for pressure type water heater, continuous line heater, PN 10,

**Product picture**



**Dimensional drawing**



**Flow rate diagram**

