

**Product:** KLUDI PROVITA concealed shower mixer, trim set with functional unit

**Ref.:** 336550500

**Product description**

concealed shower mixer  
 trim set with functional unit  
 wall fastening  
 ceramic cartridge with hot water safety device  
 flow class DC  
 without pre-installation set  
 KLUDI FLEXX.BOXX 88011  
 without Klinik – lever item no. 7491005-00  
 without Public – lever item no. 7493005-00

Finishes:  
 05 chrome

**Product picture**

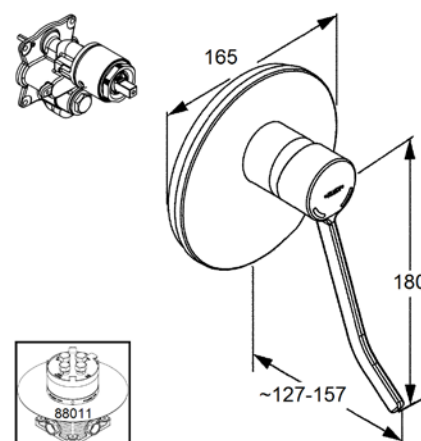


**Advertisement**

- \* KLUDI GmbH & Co KG KLUDI PROVITA concealed shower mixer trim set with functional unit item no. 336550500
- \*\* chrome plated brass/plastic
- \*\*\* trim set with concealed shower mixer for KLUDI FLEXX.BOXX DN 20 item no. 88011

concealed shower mixer valve, manufacturer KLUDI GmbH & Co. KG type KLUDI PROVITA concealed shower mixer with trim set item no. 336550500, trim set with functional unit for pre-installation set KLUDI FLEXX.BOXX DN 20 item no. 88011, without lever, cover plate chrome plated plastic, cover plate Ø 165 mm, ceramic cartridge with hot water safety device, without extension set item no. 7300600-00, without KLINIK-lever item no. 7491005-00, chrome plated brass, without PUBLIC-lever item no. 7493005-00, chrome plated brass, without pre-installation set KLUDI FLEXX.BOXX item no. 88011  
 Optimal function only in combination with KLUDI products,

**Dimen. drawing I + KH**



**Dimen. drawing II + PH**

