

**Product:** KLUDI NEW WAVES fastening basin waste valve  
G 1 1/4"

**Ref.:** 1042105-00

**Product description**

fastening basin waste valve G 1 1/4  
for washbasin with overflow  
waste flow rate 22 l/min  
with strainer

Finishes:  
05 chrome

**Product picture**

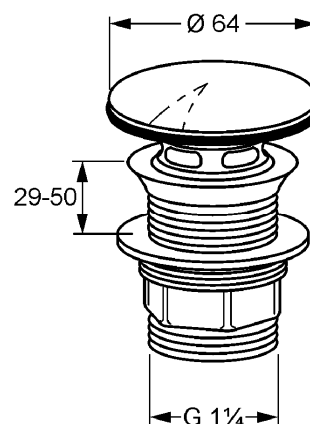


**Advertisement**

- \* KLUDI GmbH & Co. KG KLUDI NEW WAVES fastening basin waste valve item no. 1042105-00
- \*\* chrome plated brass, DIN EN 248
- \*\*\* DIN EN 174, waste flow rate max. 22 l/min

KLUDI NEW WAVES fastening basin valve 1 1/4 inch, manufacturer KLUDI GmbH & Co. KG KLUDI NEW WAVES item no. 1042105-00, chrome plated brass, fastening basin waste valve 1 1/4 inch, diameter valve plate 64 mm, for washbasin with overflow, waste flow rate 22 l/min, for basin hole diameter Ø 42 - 50 mm, with strainer,

**Dimensional drawing**



**Flow rate diagram**

waste flow rate in accordance to  
DIN EN 274 = 22 l/min