

Product: **KLUDI KOMET multi single lever sink mixer DN 10**

Ref.: **33796 .. 62**

Product description

multi single lever sink mixer DN 10
 open ring lever
 single hole mounted
 flow class A
 aerator M 24 x I
 ceramic cartridge with hot water safety device
 swivel spout (360°)
 one connection for washing-machine or dishwasher
 rapid installation set
 flexible high pressure supply tubes G 3/8
 noise group I

Finishes:
 05 chrome

Product picture

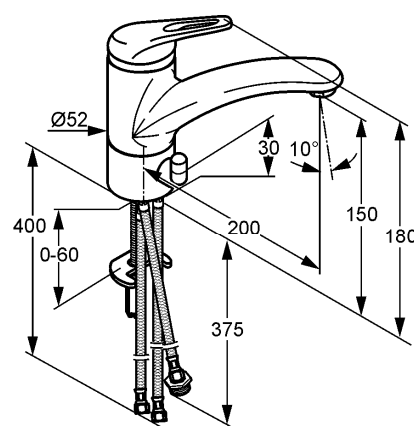


Advertisement

- * KLUDI GmbH & Co KG KLUDI KOMET Multi single lever sink mixer item no. 33796..62
- ** ceramic cartridge with hot water safety device Ø 35 mm, DIN EN 817
- *** brass, DIN 50930-6

Multi single lever sink mixer, manufacturer KLUDI GmbH & Co KG KLUDI KOMET Multi single lever sink mixer item no. 33796..62, DN 10, finishes: chrome plated brass, type: Multi single lever sink mixer DN 10, swivelling spout, open ring lever, lever projection 85 mm, aerator M 24 x I, noise level DIN 4109 group I, without report no., flow class A (max. 0,25 l/s), nozzle projection 200 mm, rapid installation set, flexible high pressure supply tubes 3/8 inch with metal body with DVGW / KIWA / WRAS / CSTB length 400 / 375 mm, nozzle height 150 mm, overall length 180 mm, ceramic cartridge with hot water safety device Ø 35 mm, one connection for washing-machine or dishwasher (flow rate 9,0 l/min at 3 bar), for pressure type water heater, PN 10,

Dimensional drawing



Flow rate diagram

