

Product: **KLUDI STANDARD sink mixer DN 6**

Ref.: **3191105 ..**

Product description

sink mixer DN 6
 choice of handle
 handle Terralux metal (08)
 handle Terralux ABS (15)
 choice of handle
 single hole mounted
 flow rate 5 l/min
 swivelling (360°) casted spout
 flow straightener M 24 x I
 shank-fixing
 copper tubes Ø 8 mm
 for use with displacement heaters
 noise group I, P-IX 3606/I

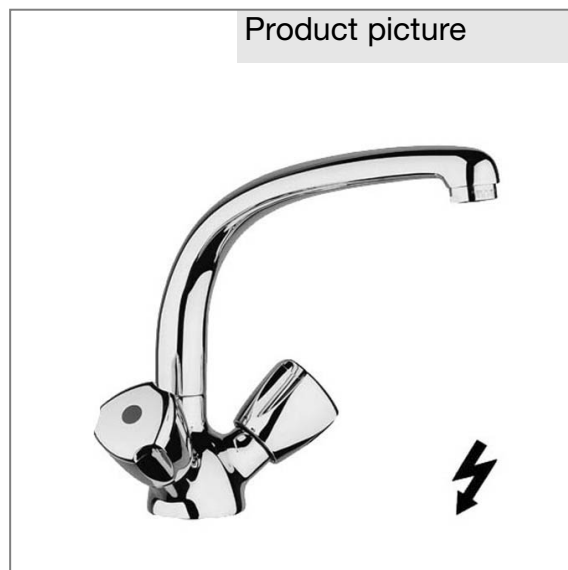
Finishes:
 05 chrome

Advertisement

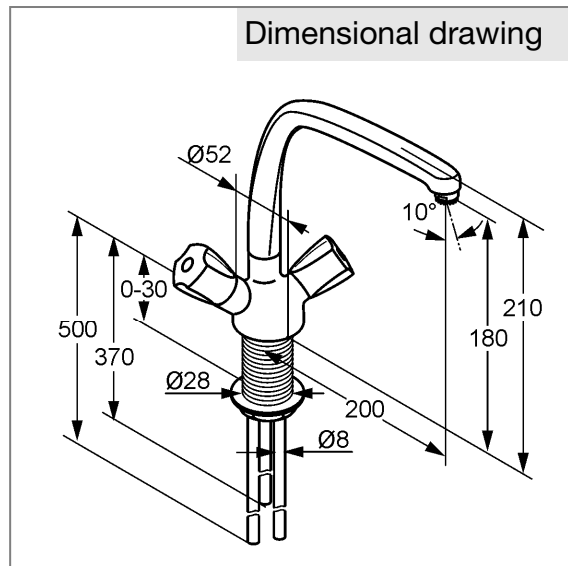
- * KLUDI GmbH & Co KG KLUDI STANDARD sink mixer item no. 319110508/15
- ** classic headparts, ajar to DIN EN 200
- *** chrome plated brass, DIN 50930-6

sink mixer, manufacturer KLUDI GmbH & Co KG KLUDI STANDARD sink mixer item no. 319110508 / 319110515, DN 6, chrome plated brass, type: sink mixer DN 6, swivel spout, handle projection 50 mm, flow straightener M 24 x I, noise level DIN EN 4109 group I, report no. P- IX 3606 / I, flow rate max. 5 l/min, nozzle projection 200 mm, back nut fixing, copper tubes Ø 8 mm length 370/500 mm, nozzle height 180 mm, classic headparts, handle with marking red/blue, compression joints 3/8 inch, for borehole diameter 28 mm, overall length 210 mm, choice of handle: 08 = handle Terralux chrome plated metal, 15 = handle Terralux ABS chrome plated plastic, for use with displacement heaters, PN 0

Product picture



Dimensional drawing



Flow rate diagram

