

Product: KLUDI TERCIO single lever basin mixer DN 15 for free outlet heater

Ref.: 384760575

Product description

single lever basin mixer DN 15
 for use with displacement heaters
 single hole mounted
 solid lever
 ceramic cartridge with hot water safety device
 aerator M 24 x 1
 flow rate 5,9 l/min at 3 bar
 rapid installation set
 flexible high pressure supply tubes 3/8 inch
 pop up waste 1 1/4 inch

Finishes:
 05 chrome

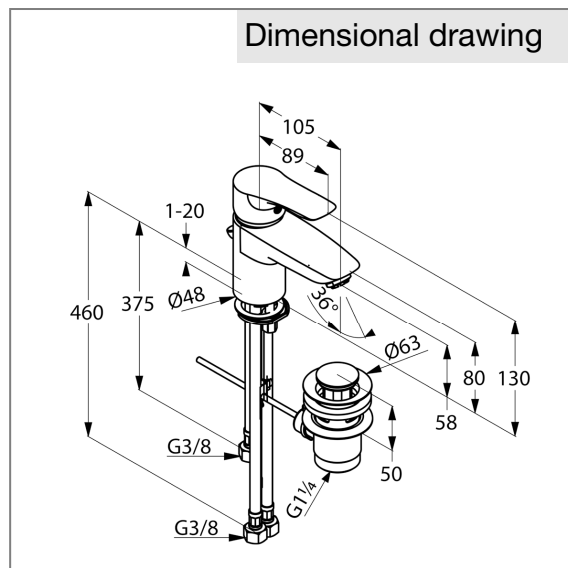
Product picture



Advertisement

single lever basin mixer, manufacturer KLUDI GmbH & Co. KG
 KLUDI TERCIO item no. 384760575
 type: single lever basin mixer, DN 15 / PN 0 for use with displacement heaters,
 chrome plated brass, with pop up waste 1 1/4 inch rod-pull and pull knob chrome
 plated, solid lever chrome plated metal, ceramic cartridge K-35 with hot water safety
 device, aerator M 24 x 1, flow rate 5,9 l/min at 3 bar, flexible high pressure supply
 tubes 3/8 inch with DVGW / W270 approval, rapid installation set
 dimensions: height: 130 mm, nozzle height: 58 mm, projection: 105 mm,
 lever projection: 89 mm

Dimensional drawing



Flow rate diagram

