

Product: KLUDI AMBA thermostatic bath and shower mixer
DN 15

Ref.: 534010538

Product description

thermostatic bath and shower mixer DN 15
 wall fastening
 temperature control handle with hot water safety device 38°C
 with ceramic shut-off valve 180°
 aerator M 28 x 1
 50 % water consumption regulation
 flow rate bath tub 17,1 l/min at 3 bar
 flow rate shower 18,7 l/min at 3 bar
 temperature insulated body
 shower outlet 1/2 inch
 protected against back flow
 dirt-catcher sieve
 S unions 1/2 x 3/4 inch

Finishes:
05 chrome

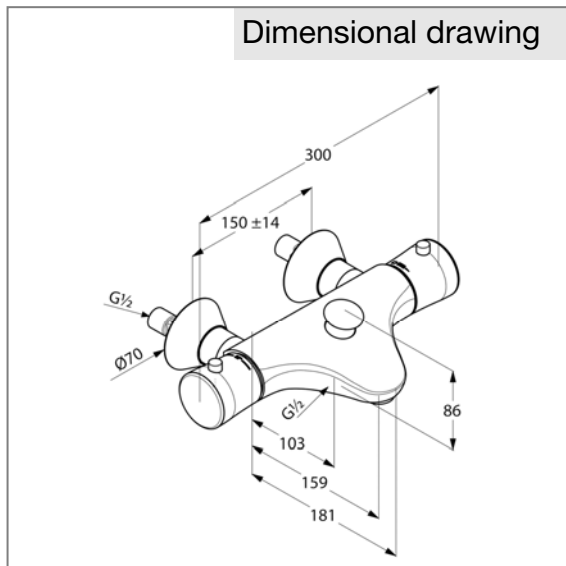
Advertisement

thermostatic bath and shower mixer, manufacturer KLUDI GmbH & Co. KG
 KLUDI AMBA item no. 534010538
 type: thermostatic bath and shower mixer, DN 15 / PN 10, chrome plated brass, ceramic headpart 180°, solid handle chrome plated metal, temperature control handle with hot water safety device 38°C, bath tub filler with aerator 28 x 1, flow rate at bath tub filler 17,1 l/min at 3 bar, flow rate at shower outlet 18,7 l/min at 3 bar, shower outlet 1/2 inch, automatic diverter: shower to bath tub, protected against back flow DIN EN 1717, concealed S unions 1/2 x 3/4 inch, dirt-catcher sieve, 50% water consumption regulation, temperature insulated body
 dimensions: width: 300 mm, projection: 181 mm, nozzle projection: 159 mm, center distance: 150 mm

Product picture



Dimensional drawing



Flow rate diagram

