

## Technical Data

### KLUDI ZENTA SL

Concealed single lever bath- and shower mixer

Article- Nr.:  
486570565

Surface:  
05 chrome

manufacturer KLUDI GmbH & Co. KG  
Typ: KLUDI ZENTA SL  
Concealed single lever bath- and shower mixer,  
PN 10

Art. Nr. 486570565

concealed bath-shower mixer  
single lever mixer

trim set without pre-installation set

pre installation set KLUDI FLEXX.BOXX Art. Nr. 88011

trim set with functional unit

wall mounted

automatic diverter: shower/ bath

solid lever, metal

protected against back flow

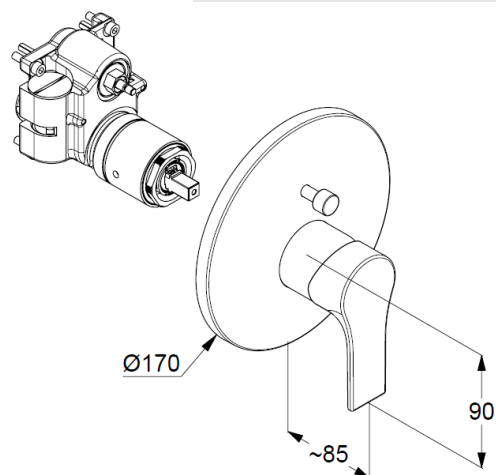
ceramic cartridge with hotwater safety device

flow rate at 3 bar = 21 l/ min.

Product Picture



Dimensional drawing



Flow rate diagram

