

Technical Data

KLUDI NOVA FONTE

3-hole basin mixer
DN 15
Style: Puristic

Ref.:
201430515

Finishes:
05 chrom

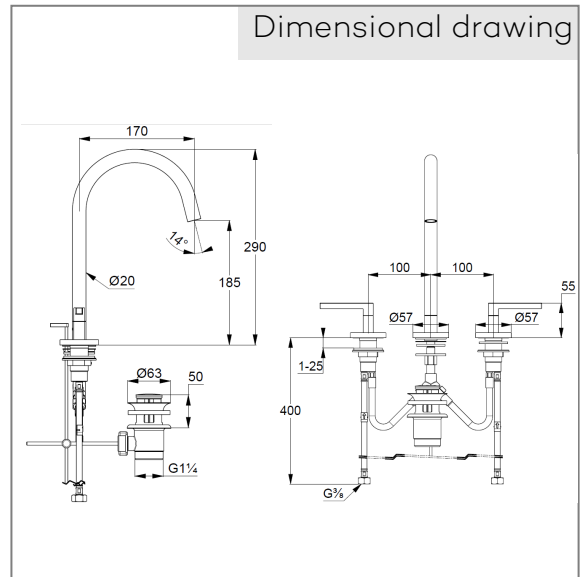
Product description

Manufacturer KLUDI GmbH & Co. KG
Typ: KLUDI NOVA FONTE
3-hole basin mixer
Ref.: 201430515
3-hole basin mixer DN 15
two handle mixer
3 hole mounted
wing handle, metal
Aerator M18,5 PCA laminar
ceramic headparts 90° (right/ left)
flow rate at 3 bar = 5,6 l/ min.
swivel (150°/ 360°) or fixable spout
flexible hoses G 3/8 DVGW approved
shank-fixing
pop up waste 1 1/4" metal

Product picture



Dimensional drawing



Flow rate diagram

