

Technical Data

KLUDI BOZZ
thermostatic shower mixer
DN 15

Ref.:
352033938

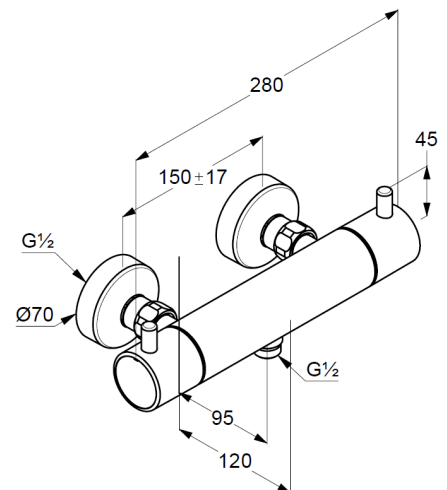
Finishes:
39 black matt finished

Product description
Manufacturer KLUDI GmbH & Co. KG
Typ: KLUDI BOZZ
thermostatic shower mixer DN 15
Ref: 352033938
thermostatic shower mixer
wall mounted
temperature handle with hotwater safety
valve handle with 50% Water consumption
protected against back flow
shower outlet 1/2 inch
ceramic headparts 180°
flow rate at 3 bar = 22 l/ min.
S-unions G 1/2 x 3/4

Product picture



Dimensional drawing



Flow rate diagram

