

# Technische Daten/ Technical Data

KLUDI BALANCE  
single lever basin mixer  
DN 15

Ref.:  
520230575WR5

Finishes:  
05 chrome

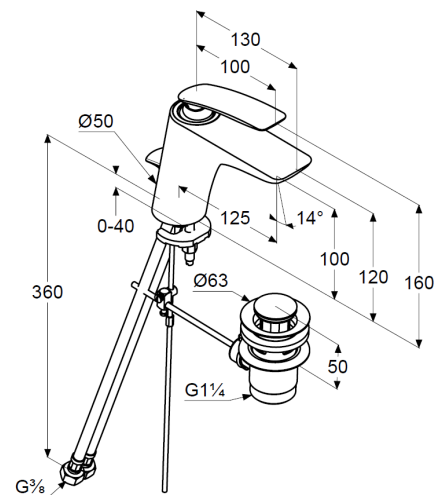
Product description  
Manufacturer KLUDI GmbH & Co. KG  
Typ: KLUDI BALANCE  
single lever basin mixer  
Ref.: 520230575WR5

basin mixer  
single lever mixer  
1-hole mounted  
solid lever, metal  
aerator, S-Pointer M24  
ceramic cartridge with hot water safety device  
flow rate at 3 bar 3,8 l/min.  
flexible hoses G $\frac{3}{8}$  DVGW approved  
rapid installation set  
pop up waste G1 $\frac{1}{4}$  metal

## Produktabbildung/ Product picture



## Maßzeichnung/ Dimensional drawing



## Durchfluss/ Flow rate

