

**Product:** KLUDI A-QA i bath-shower set DN 15

**Ref.:** 6615005-00

**Product description**

bath-shower set DN 15  
 wall fastening  
 KLUDI A-QA i handshower DN 15  
 with cleaning system  
 with big size shower spray Ø 137 mm  
 adjustable shower head  
 connection G 1/2  
 with KLUDI SIRENAFLEX-shower hose  
 with conical nuts  
 G 1/2 x G 1/2 x 1250 mm  
 fixed wall hook with screws and dowels  
 noise group I  
 P- IX 19052/IB

Finishes:  
 05 chrome

**Advertisement**

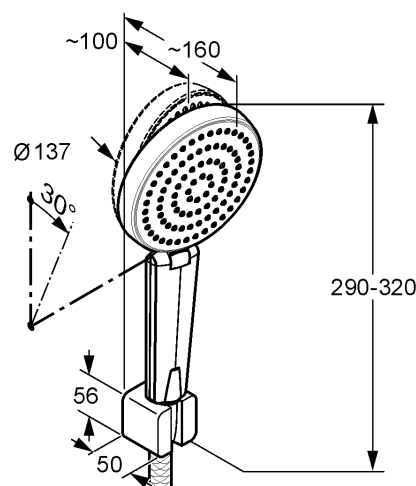
\* KLUDI GmbH & Co. KG, KLUDI A-QA i bath-shower set item no. 6615005-00  
 \*\* with cleaning system, DIN EN 1112

handshower, manufacturer KLUDI GmbH & Co. KG, KLUDI A-QA i bath-shower set item no. 6615005-00, DN 15, chrome plated plastic, noise level DIN 4109 group I, report no. P- IX 19052/IB, with normal spray and cleaning system, swivel handshower (swing range 30°), for pressure type water heater, for continuous line heater, with KLUDI SIRENAFLEX-shower hose inch 1/2 x 1/2 inch x 1250 mm with conical nuts, with with fixed wall hook with screws and dowels, chrome plated plastic, PN 5

**Product picture**



**Dimensional drawing**



**Flow rate diagram**

