

Product: KLUDI LOGO NEO single lever sink mixer DN 10

Ref.: 379190575

Product description

single lever sink mixer DN 10
 solid lever
 single hole mounted
 flow rate 5 l/min
 flow straightener M 24 x l
 ceramic cartridge with hot water safety device
 swivelling (360°) spout 200 mm
 rapid installation set
 flexible high pressure supply tubes G 3/8
 for use with displacement heaters
 noise group I
 PA- IX 7527/I

Finishes:
 chrome

Product picture

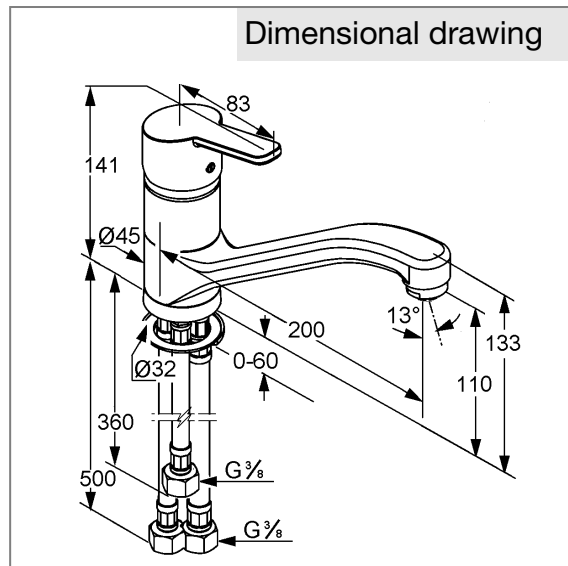


Advertisement

- * KLUDI GmbH & Co KG KLUDI LOGO NEO single lever sink mixer DN 10 item no. 379190575
- ** ceramic cartridge with hot water safety device Ø 35 mm, ajar to DIN EN 817
- *** chrome plated brass, DIN 50930-6

single lever sink mixer, manufacturer KLUDI GmbH & Co KG KLUDI LOGO NEO single lever sink mixer DN 10 item no. 379190575, DN 10, chrome plated brass, type: single lever sink mixer DN 10, swivel spout L = 200 mm, solid lever, lever projection 83 mm, flow straightener M 24 x l, noise level DIN EN 4109 group I, report no. P- IX 7527 / I, flow rate max. 5 l/min, nozzle projection 200 mm, rapid installation set, flexible high pressure supply tubes 3/8 inch with metal body with DVGW / KIWA / WRAS / CSTB length 360 / 500 mm, ceramic cartridge with hot water safety device Ø 35 mm, nozzle height 110/133 mm, overall length 141 mm, for use with displacement heaters, PN 0,

Dimensional drawing



Flow rate diagram

