

Technische Daten/ Technical Data

KLUDI ZENTA SL

concealed thermostatic shower mixer
trim set with functional unit
PN 10

Ref.: 388350545

Finishes:
05 chrome

Product description

Manufacturer KLUDI GmbH & Co. KG

Typ: KLUDI ZENTA SL

concealed thermostatic shower mixer
trim set with functional unit

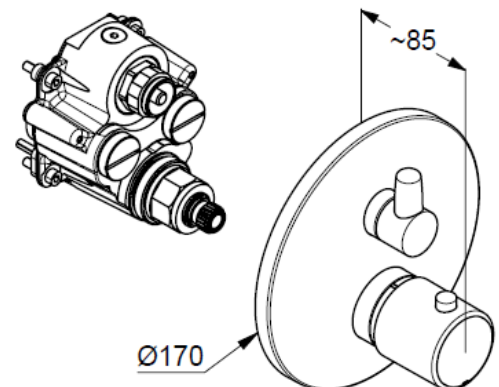
Ref.: 388350545

concealed thermostatic shower mixer
trim set without pre-installation set
pre installation set KLUDI FLEXX.BOX Ref.: 88011
wall mounted
trim set with functional unit
with ceramic shut-off valve 90°/90°
temperature handle with hot water safety at 38°C
flow rate at 3 bar 20 l/min.
with integrated back flow preventer

Produktabbildung/ Product picture



Maßzeichnung/ Dimensional drawing



Durchfluss/ Flow rate

