

Product: KLUDI PROVITA single lever basin mixer DN 8

Ref.: 333300500

Product description

single lever basin mixer DN 8
 choice of lever: HOSPITAL or PUBLIC
 single hole mounted
 flow class Z
 flow rate 7,6 l/min
 PCA care jet-spray regulator M 24 x I
 ceramic cartridge with hot water safety device
 rapid installation set, rigid spout
 pop up waste 1 ¼ inch
 copper tubes Ø 10 mm
 noise level I, P- IX 19335/IZ
 without HOSPITAL – lever ref. 7491005-00
 without PUBLIC - lever ref. 7493005-00

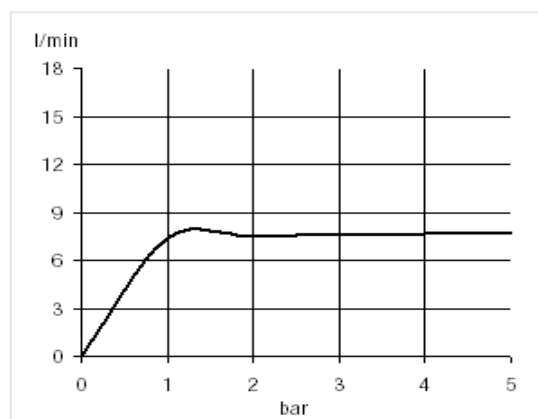
Oberfläche:
 05 chrom

Advertisement

- * KLUDI GmbH & Co KG KLUDI PROVITA single lever basin item no. 333300500
- ** ceramic cartridge with hot water safety device Ø 41 mm, DIN EN 817
- *** chrome plated brass, DIN 50930-6

single lever basin mixer, manufacturer KLUDI GmbH & Co KG KLUDI PROVITA single lever basin mixer item no. 333300500, DN 8, chrome plated brass, ceramic cartridge with hot water safety device Ø 41 mm, flow rate 7,6 l/min, type: single lever basin mixer DN 8, PCA care-non aerated M 24 x I, noise level DIN 4109 group I, report no. P- IX 19335/IZ, nozzle height 88/115, lever projection of choice 120/180 mm, copper tubes Ø 10 mm length 350 mm, nozzle projection 134/153 mm, pop up waste 1 1/4 inch, rapid installation set, overall length 192/193 mm, without HOSPITAL lever ref. 7491005-00 (180 mm) or PUBLIC lever ref. 7493005-00 (120 mm), for pressure type water heater, for continuous line heater, PN 10,

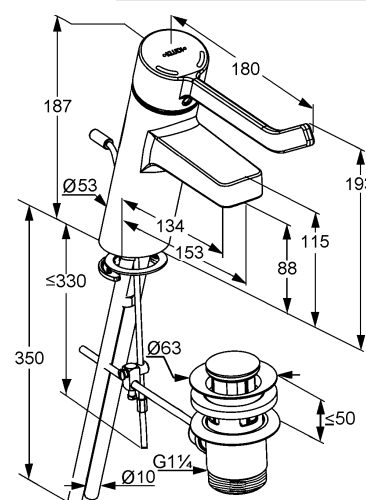
Flow rate diagram



Product picture



Dimensional drawing I+ HL



Dimensional drawing II + PL

