

Product: KLUDI STANDARD sink mixer DN 8

Ref.: 3165805 ..

Product description

sink mixer DN 8
 choice of handle
 handle Terralux metal (08)
 handle Terralux ABS (15)
 single hole mounted
 flow class A
 aerator M 22 x I
 swivelling spout (360°)
 outlet screw union G 3/4
 shank-fixing
 Copper tubes Ø 10 mm
 noise group I, P- IX 3515/IA
 DIN-DVGW-AT-2177, KIWA

Finishes:
 05 chrome

Advertisement

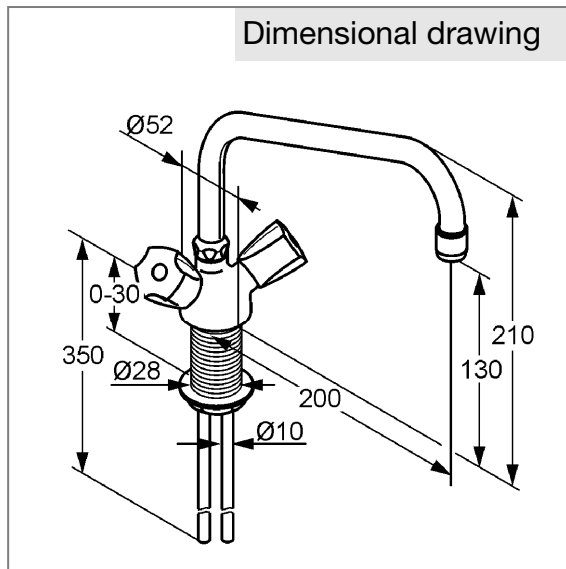
- * KLUDI GmbH & Co KG KLUDI STANDARD sink mixer item no. 316580508/15
- ** classic headparts, DIN EN 200
- *** chrome plated brass, DIN EN 50930-6

sink mixer, manufacturer KLUDI GmbH & Co KG KLUDI STANDARD sink mixer item no. 316580508 / 316580515 DN 8, chrome plated brass, type: sink mixer DN 8, swivel spout, handle projection 50 mm, aerator M 22 x I, noise level DIN EN 4109 group I, report no. P- IX 3515 / IA, DIN-DVGW-AT-2177, KIWA approval, flow class A (max. 0,25 l/s), nozzle projection 200 mm, back nut fixing, copper tubes Ø 10 mm length 350 mm, nozzle height 130 mm, classic headparts, handles with marking red/blue, overall length 210 mm, for borehole diameter Ø 28 mm, choice of handle: 08 = handle Terralux chrome plated metal, 15 = handle Terralux ABS chrome plated plastic, for pressure type water heater, for continuous line heater, PN 10,

Product picture



Dimensional drawing



Flow rate diagram

