

Product: KLUDI OBJEKTA THERM E thermostatic shower mixer DN 15

Ref.: 352000538

Product description

thermostatic shower mixer DN 15
 wall fastening
 flow class B
 temperature control handle with hot water safety device 38°C
 with ceramic shut-off valve 180°
 50 % water consumption regulation
 shower outlet G 1/2
 protected against back flow
 dirt-catcher sieve
 S unions
 without shower set
 noise group I, P- IX 8049/IB
 DIN-DVGW-BM-0037, KIWA, SVGW

Finishes:
 05 chrome

Product picture

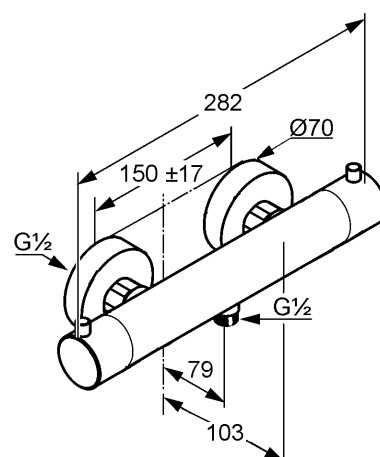


Advertisement

- * KLUDI GmbH & Co KG KLUDI OBJEKTA THERM E thermostatic shower mixer item no. 352000538
- ** temperature control handle with hot water safety device 38°C, DIN EN 1111
- *** ceramic headpart 180°, DIN EN 200
- **** chrome plated brass, DIN 50930-6

thermostatic shower mixer, manufacturer KLUDI GmbH & Co KG KLUDI OBJEKTA THERM E thermostatic shower mixer item no. 352000538, DN 15, chrome plated brass, ceramic headpart 180°, solid handle, noise level DIN EN 4109 group I, report no. P- IX 8049 / I B, DIN-DVGW-BM-0037 / DVGW / KIWA / SVGW, temperature control handle with hot water safety device 38 °C, type: thermostat shower mixer DN 15, flow class B (max. 0,42 l/s), shower outlet 1/2 inch, protected against back flow DIN EN 1717, S unions 1/2 x 3/4 inch, dirt-catcher sieve, 50% water consumption regulation, projection 79/103 mm, for pressure type water heater, for continuous line heater, PN 10,

Dimensional drawing



Flow rate diagram

