

Product: KLUDI PROVITA concealed shower mixer, trim set

Ref.: 338600500

Product description

concealed shower mixer
 trim set
 choice of lever: HOSPITAL or PUBLIC
 automatic diverter: shower to bath tub
 for KLUDI FLEXX.BOXX 88077 or
 concealed body 33434
 without HOSPITAL – lever ref. 7491005-00
 without PUBLIC - lever ref. 7493005-00

Oberfläche:
 05 chrom

Advertisement

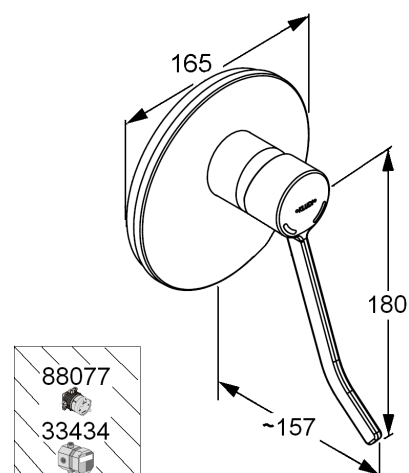
- * KLUDI GmbH & Co KG KLUDI PROVITA concealed shower mixer item no. 338600500
- * for use with concealed bath/shower mixer DN 20 FLEXX.BOXX item no. 88077 or concealed bath/shower mixer DN 15 item no. 33434
- ** chrome plated metal/plastic, DIN EN 817

concealed shower mixer trim set, manufacturer KLUDI GmbH & Co. KG KLUDI PROVITA item no. 338600500, type: concealed shower mixer trim set for concealed bath/shower mixer DN 20 FLEXX.BOXX item no. 88077 or concealed bath/shower mixer DN 15 item no. 33434, wall flange chrome plated plastic, lever projection of choice: 120/180 mm, diameter wall flange 165 mm, protection against back flow look at pre-installation set FLEXX.BOXX item no. 88077 or pre-installation set item no. 33434, without HOSPITAL – lever ref. 7491005-00, without PUBLIC - lever ref. 7493005-00,

Product picture



Dimensional drawing I+ HL



Dimensional drawing II + PL

