

Product: KLUDI STANDARD stand pillar tap DN 15

Ref.: 2001305 ..

Product description

stand pillar tap DN 15
 choice of handle
 handle Terralux metal (08)
 handle Terralux ABS (15)
 single hole mounted
 flow class A
 aerator M 24 x I
 cased spout
 marked: blue/red
 noise group I
 P- IX 1116/IA
 KIWA

Finishes:
 05 chrome

Product picture

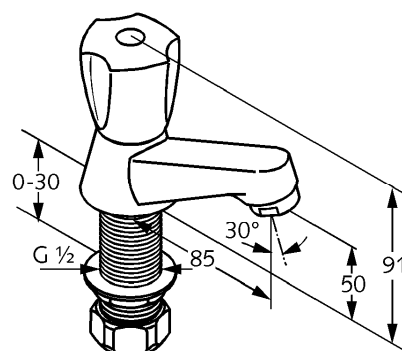


Advertisement

- * KLUDI GmbH & Co KG KLUDI STANDARD stand pillar tap item no. 200130508/15
- ** classic headpart, DIN EN 200
- *** chrome plated brass, DIN 50930-6

stand pillar tap DN 15, manufacturer KLUDI GmbH & Co KG KLUDI STANDARD stand pillar tap item no. 200130508 / 200130515, DN 15, chrome plated brass, type: stand pillar tap DN 15, handle projection 50 mm, aerator M 24 x I, noise level DIN EN 4109 group I, report no. P- IX 1116 / IA, KIWA approval, flow class A (max. 0,25 l/s), nozzle projection 85 mm, back nut fixing, without rigid pipe Ø 10 mm, nozzle height 50 mm, classic headpart, thread connection 1/2 inch with cap nut, choice of handle: 08 = handle Terralux chrome plated metal, 15 = handle Terralux ABS chrome plated plastic, choice of marking: blue or red, for pressure type water heater, for continuous line heater, PN 10

Dimensional drawing



Flow rate diagram

