

Product: **KLUDI wall spout DN 20**

Ref.: **1350005**

Product description

wall spout DN 20
 wall fastening
 flow class B
 aerator M 28 x I
 with sliding cover plate
 projection 170 mm
 noise group I

Finishes:
 05 chrome

Product picture

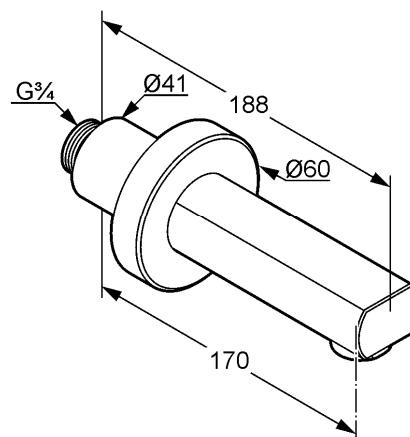


Advertisement

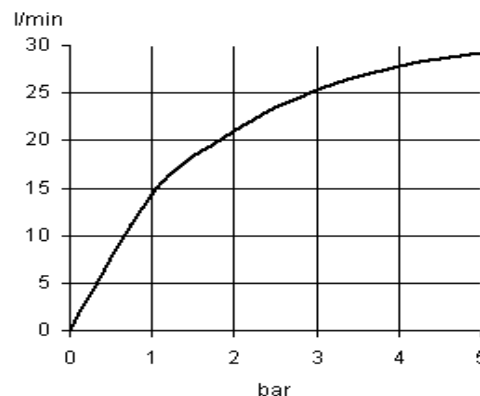
- * KLUDI GmbH & Co KG KLUDI wall spout item no. 1350005
- ** chrome plated brass, DIN EN 50930-6
- *** DIN EN 200

wall spout DN 20, manufacturer KLUDI GmbH & Co KG KLUDI wall spout item no. 1350005, DN 20, chrome plated brass, with male connection 3/4 inch, noise level DIN EN 4109 group I, without report no., flow class B (max. 0,42 l/s), aerator M 28 x I B, nozzle projection 170 mm, with sliding cover plate, for pressure type water heater, for continuous line heater, PN 10,

Dimensional drawing



Flow rate diagram



Durchflussklasse B
 flow class B